

# KRENDL

## Fiber Moving Equipment



### OWNERS MANUAL

### MODEL #500



### 50 YEARS OF QUALITY AND SERVICE

---

KRENDL MACHINE COMPANY • 1201 SPENCERVILLE AVE  
DELPHOS, OHIO 45833 • TELEPHONE 419-692-3060 • FAX 419-695-9301  
E - MAIL: [krendl@krendlmachine.com](mailto:krendl@krendlmachine.com) • WEB SITE: [www.krendlmachine.com](http://www.krendlmachine.com)

---

**CONGRATULATIONS ON YOUR PURCHASE OF KRENDL EQUIPMENT**

**MODEL #500  
OWNER'S MANUAL**

**FOR ASSURED SAFETY AND CONFIDENCE, PLEASE READ THIS  
MANUAL CAREFULLY BEFORE INSTALLING AND OPERATING  
YOUR MACHINE.**

**E-MAIL ADDRESS IS: [krendl@krendlmachine.com](mailto:krendl@krendlmachine.com)  
WEB SITE IS: [www.krendlmachine.com](http://www.krendlmachine.com)**

# Table of Contents

	PAGE
INTRODUCTION .....	1
GENERAL SAFETY INFORMATION .....	2-3
DECALS .....	4-5
RETURNED GOODS PROCEDURE .....	6
WARRANTY .....	7
ASSEMBLY .....	8
BASIC COMPONENTS .....	9
THEORY OF OPERATION .....	10
OPERATING INSTRUCTIONS	
Machine Hook-up .....	10-12
Electrical Operation .....	13
Mechanical Settings .....	14-15
GENERAL MAINTENANCE .....	15-19
ELECTRICAL SYSTEM .....	20-29
TROUBLESHOOTING .....	30-32
PARTS LIST .....	33-53
GLOSSARY .....	54
SERVICE RECORD .....	55

## INTRODUCTION

Thank you for purchasing a **KRENDL FIBER MOVING MACHINE**. With over fifty years experience in manufacturing fiber moving equipment, we have designed and built your machine with the highest quality to provide years of reliable service.

This manual has been prepared to help you obtain the maximum efficiency and service from your Krendl equipment. The machine is designed to condition and apply fibers with the utmost in dependable performance. Our primary objective is to build equipment which will provide complete satisfaction so that you may confidently recommend Krendl to others.

We do not manufacture or sell fibers. Our interest lies only in the proper performance of the equipment we manufacture. We make no recommendations or guarantees concerning various fibers.

### CAUTION:



This manual contains important information regarding the **safe** assembly and operation of your machine. We urge you to read it carefully and follow the instructions provided. If your questions are not answered in this manual, may we hear from you? We want you to be able to operate this unit safely and confidently.

**UNPACKING:** Store and unpack carton with correct side up. Unpack your machine **IMMEDIATELY** and check for damage in shipping. **Place any damage claim with delivering carrier, saving all packing materials for inspection.** Our warranty covers manufacturer's defects only. **DO NOT** return to shipper.

### FILL IN AND RETAIN:

Krendl Machine Company  
1201 Spencerville Ave.  
Delphos, Ohio 45833 U.S.A.

Telephone: 419-692-3060  
Fax: 419-695-9301  
E-mail: [krendl@krendlmachine.com](mailto:krendl@krendlmachine.com)  
Web Site: [www.krendlmachine.com](http://www.krendlmachine.com)

For your protection in the event of theft or loss, please fill in the information requested for your own records. This information will be needed for in-warranty repairs. You may also want to attach a copy of your invoice.

Machine model number \_\_\_\_\_ Blower motor manufacturer \_\_\_\_\_


Serial number \_\_\_\_\_ Agitator motor manufacturer \_\_\_\_\_


Blower(s) serial number(s) \_\_\_\_\_ Speed reducer manufacturer \_\_\_\_\_

Date of purchase \_\_\_\_\_ Supplier \_\_\_\_\_

The model and machine serial numbers are located on the base of the machine unit. The blower(s) serial number(s) is located on the motor housing of blower.

## GENERAL SAFETY INFORMATION

 **Important:** Read **all** instructions **before** operating this unit. This equipment can be potentially dangerous and must be used in strict accordance with instructions.

 **Disclaimer Notice:** The manufacturer will not be legally responsible for any injury or damage resulting from the improper use of this equipment or the failure to follow instructions.

### Unpacking

Handle cartons with care to avoid damage from dropping or bumping. Store and unpack cartons with the correct side up. Completely remove machine from the packaging and from any shipping pallet or skid to which it might be attached. In addition, completely remove all shipping materials from **inside** the machine.



### General Safety

1. Read this manual carefully and become familiar with your machine unit. Know its applications, limitations, and any hazards involved.
2. This machine was designed and manufactured for specific applications. Do not attempt to modify the unit or use it for any application it was not designed for. If you have any questions about your intended use or the machines suitability, ask your dealer/distributor or consult the factory. The manufacturers' could not possibly anticipate every circumstance that might involve a hazard. For that reason, warnings in the manual and warning tags or decals affixed to the unit, are **not** all-inclusive. If you intend to handle, operate, or service the unit by a procedure or method not specifically recommended by the manufacturer, first make sure that such a procedure or method will not render this equipment unsafe or pose a threat to you and others.



### Electrical Safety

- The **National Electric Code** (NEC) in the United States and many international electrical codes require frame and external electrically conductive parts of this machine to be properly connected to an approved earth ground. Local electrical codes may also require proper grounding of machine. Consult with local electricians for grounding requirements in your area.
- Never handle any kind of electrical cord or device while standing in water, while barefoot or while hands or feet are wet. Dangerous electrical shock will result.
- Use a ground fault circuit interrupter (GFCI) in any damp or highly conductive area. (metal decking or steel work)
- Reference NFPA 79, 70E, or OSHA safe work practices when performing energized work procedures.



## Safety/Caution

- **Be Safe** - Keep away from moving parts.
- **Be Safe** - Make sure all guards and hopper bar are in proper place **before** operating machine. Guards and safety devices/switches should not be removed, modified or by-passed. Hands should **never** pass below hopper bar.
- **Be Safe** - Do not remove motors or lift hopper when unit is connected to power supply.
- **Be Safe** - Make sure machine is properly grounded. Protect all electrical supply cords from sharp objects, moisture, and other potentially hazardous materials. Keep power cords in good repair. Electrical service must be performed by a qualified electrician.
- **Be Safe** - Disconnect power supply **before** inspecting or adjusting unit.
- **Be Safe** - Consult a qualified technician to answer questions **before** attempting to operate, or injury may result.
- **Be Safe** - Do not operate machine alone.
- **Be Safe** - Do not leave machine unattended and energized.
- **Be Safe** - Turn machine off and disconnect electricity before clearing and feeding jam or attempting to remove any object dropped in the hopper.
- **Be Safe** - Keep hands, loose clothing, jewelry and hair away from agitators, gears, chains and other moving parts.
- **Be Safe** - Use proper lifting when moving fibers and loading machine.
- **Be Safe** - Keep work area clear of debris.
- **Be Safe** - Wear proper safety equipment, including protective gear, such as respirators, eye and ear protection.
- **Be Safe** - Violation of the Owner's Manual or safety precautions may void warranty.



## Make Sure!

- Hopper is empty of foreign objects **before** starting.
- Adequate electrical power is supplied or damage to unit will result.
- Blower filter is kept clean and in place when blower is on.
- Machine is turned off **immediately** if hose is plugged, or blower will overheat.
- Machine must be on **before** adding fiber.
- Blower(s) must be on, when agitators are running, or machine will bind.
- Agitator motor is not run with hopper empty for more than a few minutes, or damage to seals will result.
- Sprockets, chains, belts and pulleys are correctly **aligned** and **tensioned**.
- Pieces of bag are **not** left in the machine as this can bind and stall your machine.
- This machine should only be used with good quality fibers that are dry, undamaged and that meet a certain industry specification or quality standards.

**DECALS**



Keeping the filter clean will result in longer blower life and better performances.



Rotating parts can be dangerous! You can snag clothes, hair, hands, etc. This can cause serious injury or death.



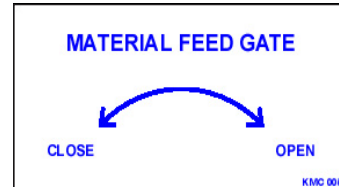
Manufacturer information is provided here along with machine model, and serial number.



Made in the U.S.A.



Emergency stop button for machine.



Opens and closes the material feed gate which in turn controls the production.



Identifies position of material feed gate.



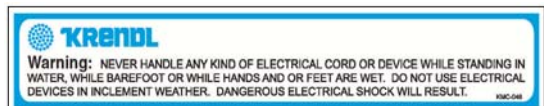
Machine should be used with these products.



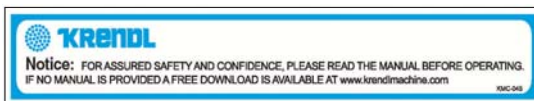
General safety information intended to reduce the risk of serious injury or death



Indicates if blower is off, on, or on with agitator.



Take caution when handling electrical cords or electrical shock or death may result.



Read manual before operating machine for assured safety.





Operating machine at specified voltage will result in longer machine life and better performance.



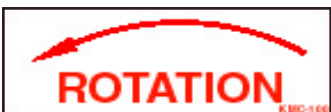
Specifies the voltage this outlet is rated for.



Indicates that this outlet is intended for only the remote control outlet. Each time machine cycle starts, an audible alarm warns the operator that the machine is about to come on.



Indicates that this outlet is intended for only the wireless remote. Each time machine cycle starts, an audible alarm warns the operator that the machine is about to come on.



Rotating parts will be moving in this direction.



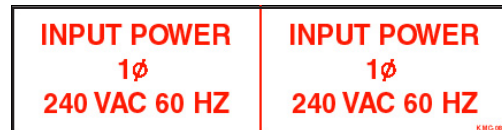
Part number for identification and tracking.



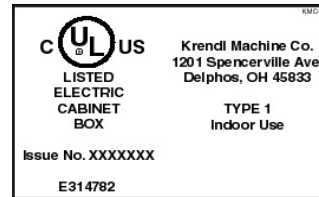
Reset button for motor.



Indicates this unit has two power sources that should be disconnected before servicing to reduce the risk of serious injury or death.



Indicates the input power of the machine.



Indicates that the electrical box on the machine is in compliance with UL codes.



Indicates which employee date equipment was inspected.



Identifies if machine is in remote mode, manual mode, or off position. In manual mode this switch operates machine. In remote mode the hand pendant operates machine. Each time machine cycle starts, an audible alarm warns the operator that the machine is about to come on.



**RETURNED GOODS PROCEDURE:**

When returning products to Krendl for repair, first obtain a return goods authorization, and you will be given shipping instructions. The product must be shipped **PREPAID**:

**Krendl Machine Company**  
1201 Spencerville Ave.  
Delphos, Ohio 45833 U.S.A.

Telephone: 419-692-3060  
Fax: 419-695-9301  
E-mail: [krendl@krendlmachine.com](mailto:krendl@krendlmachine.com)  
Web Site: [www.krendlmachine.com](http://www.krendlmachine.com)

IF MACHINE WAS NOT PURCHASED DIRECTLY FROM KRENDL MACHINE COMPANY, CONTACT YOUR SUPPLIER.

Once unit is received, it will be inspected. In-warranty units will be repaired and returned immediately. Estimates of repair charges will be provided for out-of-warranty units.

**WARRANTY:**

Krendl Machine Company (Company) warrants to each original purchaser (Buyer) of its equipment or accessories that such products will be free of manufacturing defects for a period of 12 months from the date of shipment to the Buyer.

No warranty is made with respect to:

1. Components or accessories manufactured and warranted by others. Warranties for purchased component parts as supplied from vendor such as engine, electric motor, blower, gearbox, transmission, etc., if furnished by the manufacturer of the component, are on file at the Company's main office and copies will be furnished at request of Buyer. Component(s), shipping costs prepaid, shall be sent to Company who in turn shall forward to vendor for evaluation and warranty determination.
2. Any defect caused by repair, alteration and/or adjustment performed by Buyer or customer/ vendor of Buyer without the express written authorization of the Company.
3. The labor costs of replacing parts by parties other than the Company.
4. Any machine that has not been operated and/or maintained in accordance with normal industry practice and the written recommendations of the Company. (e.g. machine operated with an improperly sized, worn or damaged hose, improper or inattention to preventative maintenance, etc.)
5. The product has been subjected to misuse, negligence or accident or results of any application or use of the blowing equipment not in accordance with the Company recommendations.

This limited warranty does not cover the free replacement of component parts that become inoperative due to wear and usage and need to be replaced on a regular basis, including but not limited to: airlock seal(s), agitator(s), shredder(s), auger(s), fuse(s), switch(es), clutch(es), hose(s), shaft seal(s), chain(s), belt(s), sprocket(s), pulley(s), bearing(s), cable(s), battery(ies), filter(s), fan(s), etc.

The Company's obligation under this warranty is limited to repairing or replacing (at Company option) any part that is determined by the Company to be suffering from a manufacturing defect. The Company (at Company option) will provide any required parts and labor to the Buyer. If the equipment or parts must be returned to the Company for repair, all transportation costs shall be the Buyer's responsibility.

**THIS LIMITED WARRANTY IS EXPRESSLY IN LIEU OF ANY OTHER GUARANTEES AND / OR WARRANTIES, ORAL OR WRITTEN, EXPRESSED OR IMPLIED, INCLUDING WITHOUT LIMITATION, THE IMPLIED WARRANTY OF MERCHANTABILITY. NO WARRANTY, EXPRESS OR IMPLIED, OTHER THAN THE AFORESAID WARRANTY IS MADE OR AUTHORIZED BY COMPANY. COMPANY SHALL NOT BE LIABLE FOR ANY DIRECT, INDIRECT, INCIDENTAL OR CONSEQUENTIAL DAMAGES TO PROPERTY OR INJURY TO ANY PERSON OR COSTS ASSOCIATED WITH LOSS OF PRODUCTION RESULTING IN LOSS OF REVENUE, PROFITS OR LOSS OF EQUIPMENT THROUGH THE USE OF THIS EQUIPMENT.**

**Note: Special job circumstances incurring costs for specialized repair and next day delivery of parts will not be reimbursed by the manufacturer unless authorized by factory.**

**ASSEMBLY**

Prior to packing, your machine has been assembled and tested to assure quality performance. However, to safeguard against damage in shipping, certain items are packaged separately within your carton and will need assembly.

**BLOWER DOOR:** (See illustration A)

This unit has Blower Door and Filter inside hopper. Install the Blower Door and Filter on machine and secure with Filter Clips. (Blower Filter must remain in Blower Door.) An appropriate size hose is attached to the blower door input tube and the other end is located elsewhere to provide clean air to blowers. A fine screen, acting as a filter, over end of hose eliminates accumulation of unwanted debris. This eliminates frequent cleaning of the blower filter. (Frequent inspection of input hose is recommended.)

**POWER CORDS:** (20-30 amp twist lock inputs only)

Female receptacle(s) need to be wired properly to main power cord(s). (For 240 volt 60 hz. see illustration F and consult electrician for assistance.) Units shipped to European countries will have standard (2) two prong 230V 16 amp plugs supplied. Units shipped overseas to other than Europe do not have plugs and receptacles on input cords due to the varying electrical plug configurations in different countries, unless provided by Krendl agents or suppliers.

**ASSEMBLY OF OPTIONS:** (See illustration B) Options below are available on the model #500 machine.**5" Wheel Package:** (standard or heavy duty)

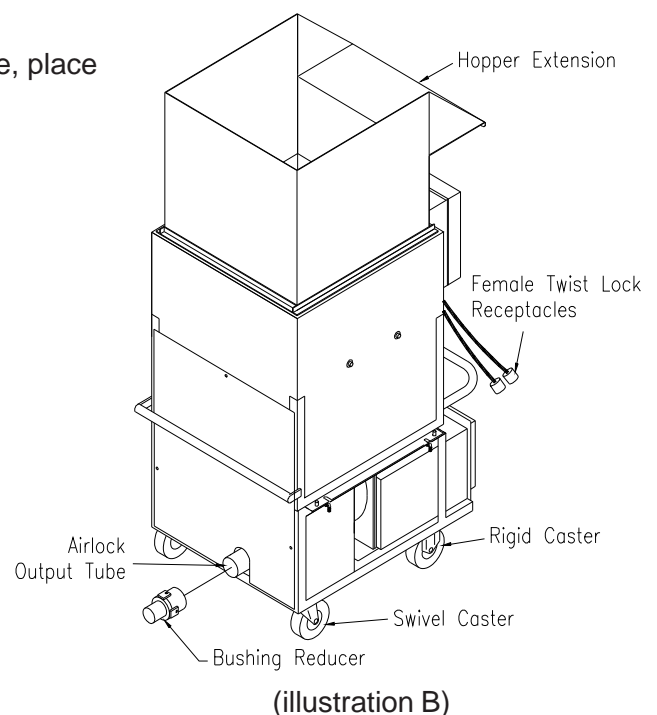
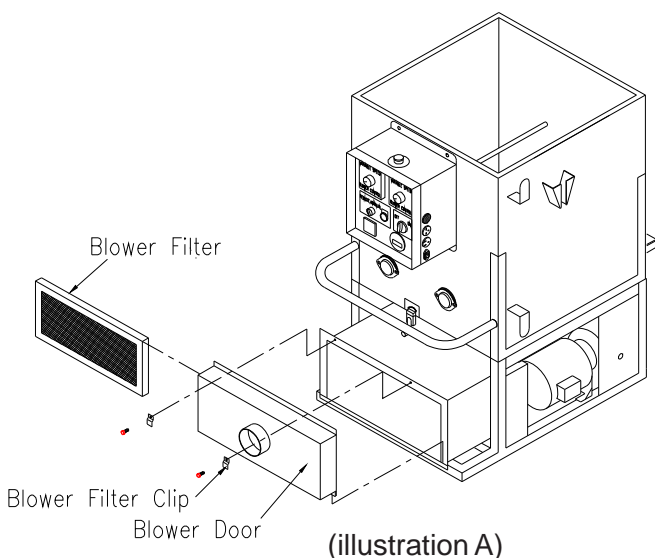
Attach two swivel casters on airlock end of machine for increased mobility. Mount rigid casters on control end with the hex bolts provided.

**Bushing Reducer:** (2 1/2" output)

Bushing reducer inserts into output tube of airlock. Press reducer firmly against shoulder and tighten two hold-down bolts to secure unit in place. The bushing reduces the size of opening to hose at its source, providing a more consistent feed while preventing hose plugs. (Standard output tube on model #500 is 3".)

**Hopper Extension:**

If Hopper Extension is not shipped mounted on machine, place Hopper Extension on top of machine.



## BASIC COMPONENTS

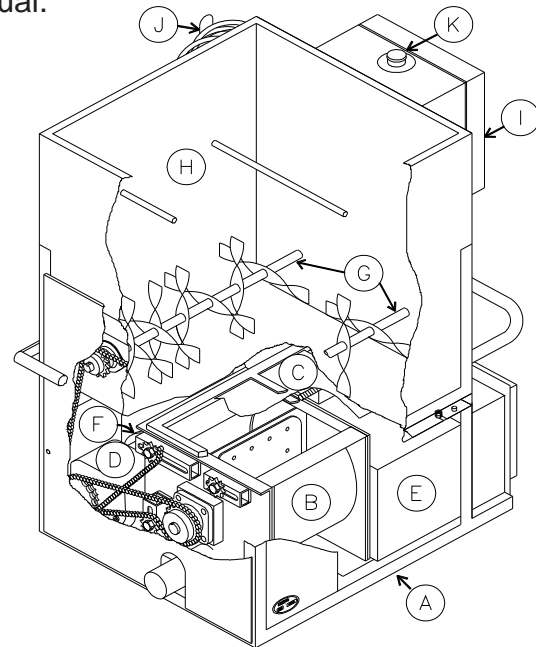
This is a view of the basic components of your machine. It shows the location of each item and gives the function of each. Use this as a guide throughout the manual.

(illustration C)

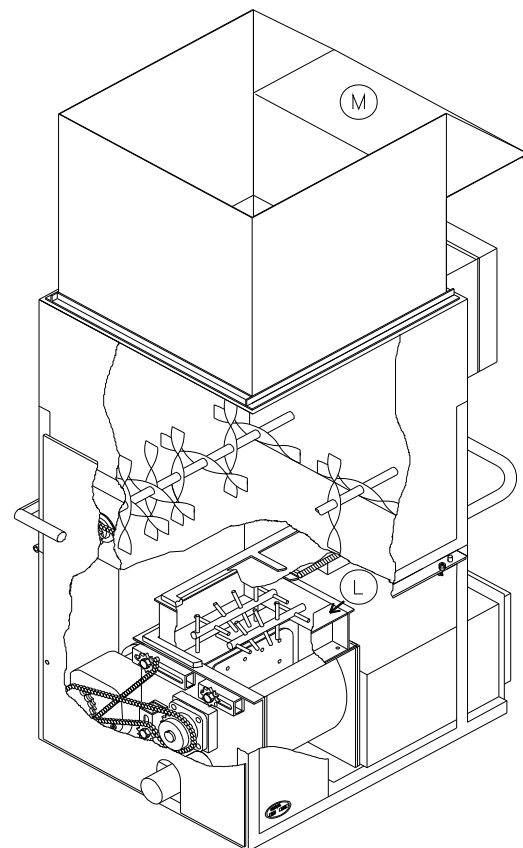
- A) BASE UNIT**—Lower frame unit supporting blower box, speed reducer, motor, airlock and hopper.
- B) AIRLOCK**—Traps air and fiber while providing a metered flow.
- C) SLIDEGATE**—Meters the amount of fiber dropping into the airlock by controlling size of airlock opening.
- D) SPEED REDUCER**—Increases output power while decreasing speed of agitator/airlock drive motor.
- E) BLOWER BOX**—Enclosure protecting high-pressure blowers from contamination.
- F) MOTOR**—Provides driving power for speed reducer and agitator/airlock system.
- G) AGITATOR**—Conditions fiber in the hopper.
- H) HOPPER**—Upper unit of machine holding fiber.
- I) MAIN CONTROL PANEL**—Connects with main power, allowing operation of unit at machine or Remote Cord.
- J) REMOTE CORD HANGER**—Storage for remote control cord.
- K) KILL SWITCH**—Safety device for immediate stopping of machine.

(illustration D)

- L) SHREDDER SYSTEM (optional)**—Increases production and coverage on all fiber products while reducing clumps that may exist in various fibers.
- M) HOPPER EXTENSION (optional)**—Increases overall hopper capacity.



(illustration C)

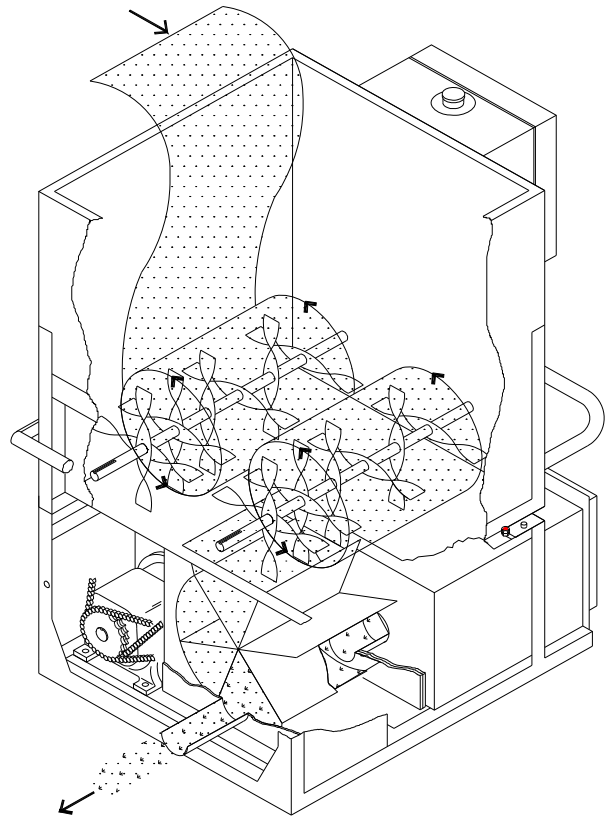


(illustration D)

## THEORY OF OPERATION

This unit is designed to accept all fiber materials into the hopper area of the machine, passing through a multistep agitation system and dropping into the rotating airlock feeder. The airlock feeder has a crankgate control providing precision feeding of fiber for open blowing, sidewall blowing, and spray-on applications. Fiber is then rotated to a 6:00 o'clock position where air from the blower motor pushes fiber from the rotating chambers through the hose. Material and air is prevented from escaping into the machine while in the airlock by six rubber seals which conform to the airlock inner wall as the chambers revolve. The blower motor is either a two or three stage, high r.p.m. unit with low amperage designed to blow air. (Fiber does not pass through the blower fan chamber.) The high pressure and adjustable volume provides low amperage, low noise, and minimal attic dust. This reduces hose plugging problems and gives longer blower life.

Note: All Fiber/airlock machines provide slightly less coverage than thru-blower machines. Airlock machines cannot duplicate the high speed (13,000 r.p.m.) conditioning effect of fiber passing through the blower. These units blow the fiber closer to settled density which eliminates the need for overblowing material to compensate for progressive settling.




## OPERATING INSTRUCTIONS: MODEL #500

### Machine Hook-up

This unit comes ready for connection to insulation hose, power cords, and accessories.

This unit provides a direct connection to 3" insulation hose. Slide hose on to outlet and secure with a hose clamp. All hose connections **must** have hose clamps to prevent air leakage from blower to nozzle. This helps to prevent hose plugging.

 Remove remote control cord, blower door, packet, accessories, ect. from hopper and plug remote control cord into **Main Control Panel** located on hopper. (See illustration E)

The first bag of insulation into hopper should be well broken by hand to assist agitator action. **Caution:** Hopper bars **must** be in place while loading hopper. **Never** put hands below bars or force feed fiber by pushing down on insulation.

 When assembling unit, make sure remote control **hand pendant** switch is in the **off** (middle) position and close **slidegate**.

1. Connect power to Input Cord(s) located below Main Control Panel. (See illustration E)  
On double input units, **both** input cords must be supplied with power from two separate sources for unit to work properly. When using extension power cords, wire gauge size should not be less than

input cord on unit and not to exceed 50' in length. **(See Voltage Drop Chart Below.) Caution:** Operating unit with less than required voltage or inadequate generator size will result in damage to electrical components. This machine is marked with the correct input voltage on input cords located on bottom of the Main Control Panel. **Note:** Agitator motor and blower(s) should only be operated with steady or constant flow of electricity. **Do not** operate machine with less than required voltage. Damage to motors and other electrical parts will result. Check voltmeter on Main Control Panel when machine is running.

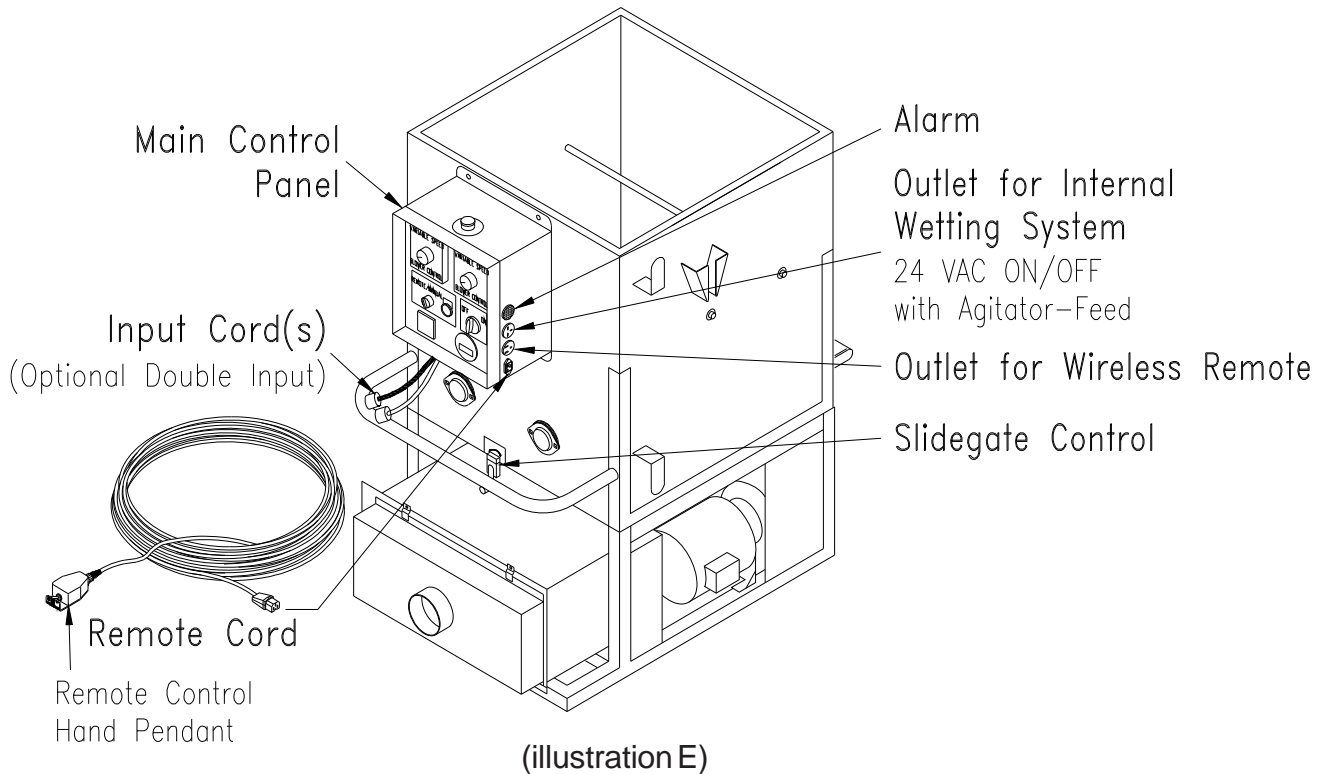
VOLTAGE DROP CHART									
Typical voltage drop values based on conductor size and one-way length* (60 C termination and insulation)									
25 FEET									
AMPERES	12 AWG	10 AWG	8 AWG	6 AWG	4 AWG	3 AWG	2 AWG	1 AWG	
20	1.98	1.24	0.78	0.49	0.31	0.25	0.19	0.15	
30		1.86	1.17	0.74	0.46	0.37	0.29	0.23	
40			1.56	0.98	0.62	0.49	0.39	0.31	
50				1.23	0.77	0.61	0.49	0.39	
60					0.93	0.74	0.58	0.46	
50 FEET									
AMPERES	12 AWG	10 AWG	8 AWG	6 AWG	4 AWG	3 AWG	2 AWG	1 AWG	
20	3.95	2.49	1.56	0.98	0.62	0.49	0.39	0.31	
30		3.73	2.34	1.47	0.93	0.74	0.58	0.46	
40			3.13	1.97	1.24	0.98	0.78	0.62	
50				2.46	1.55	1.23	0.97	0.77	
60					1.85	1.47	1.17	0.92	
75 FEET									
AMPERES	12 AWG	10 AWG	8 AWG	6 AWG	4 AWG	3 AWG	2 AWG	1 AWG	
20	5.93	3.73	2.34	1.47	0.93	0.74	0.58	0.46	
30		5.59	3.52	2.21	1.39	1.1	0.87	0.69	
40			4.69	2.95	1.85	1.47	1.17	0.92	
50				3.69	2.32	1.84	1.46	1.16	
60					2.78	2.21	1.75	1.39	
100 FEET									
AMPERES	12 AWG	10 AWG	8 AWG	6 AWG	4 AWG	3 AWG	2 AWG	1 AWG	
20	7.90	4.97	3.13	1.97	1.24	0.98	0.78	0.62	
30		7.46	4.69	2.95	1.85	1.47	1.17	0.92	
40			6.25	3.93	2.47	1.96	1.56	1.23	
50				4.92	3.09	2.45	1.94	1.54	
60					3.71	2.94	2.33	1.85	
125 FEET									
AMPERES	12 AWG	10 AWG	8 AWG	6 AWG	4 AWG	3 AWG	2 AWG	1 AWG	
20	9.88	6.21	3.91	2.46	1.55	1.23	0.97	0.77	
30		9.32	5.86	3.69	2.32	1.84	1.46	1.16	
40			7.81	4.92	3.09	2.45	1.94	1.54	
50				6.15	3.86	3.06	2.43	1.93	
60					4.64	3.68	2.92	2.31	
150 FEET									
AMPERES	12 AWG	10 AWG	8 AWG	6 AWG	4 AWG	3 AWG	2 AWG	1 AWG	
20	11.85	7.46	4.69	2.95	1.85	1.47	1.17	0.92	
30		11.18	7.03	4.42	2.78	2.21	1.75	1.39	
40			9.38	5.90	3.71	2.94	2.33	1.85	
50				7.37	4.64	3.68	2.92	2.31	
60					5.56	4.41	3.50	2.77	

Ex: A two-wire 20-ampere circuit using 12 AWG with a one-way distance of 25 feet will drop 1.98 volts;  
 120 volts - 1.98 volts = 118.02 volts as the load voltage.  
 230 volts - 1.98 volts = 228.02 volts as the load voltage.  
 240 volts - 1.98 volts = 238.02 volts as the load voltage.

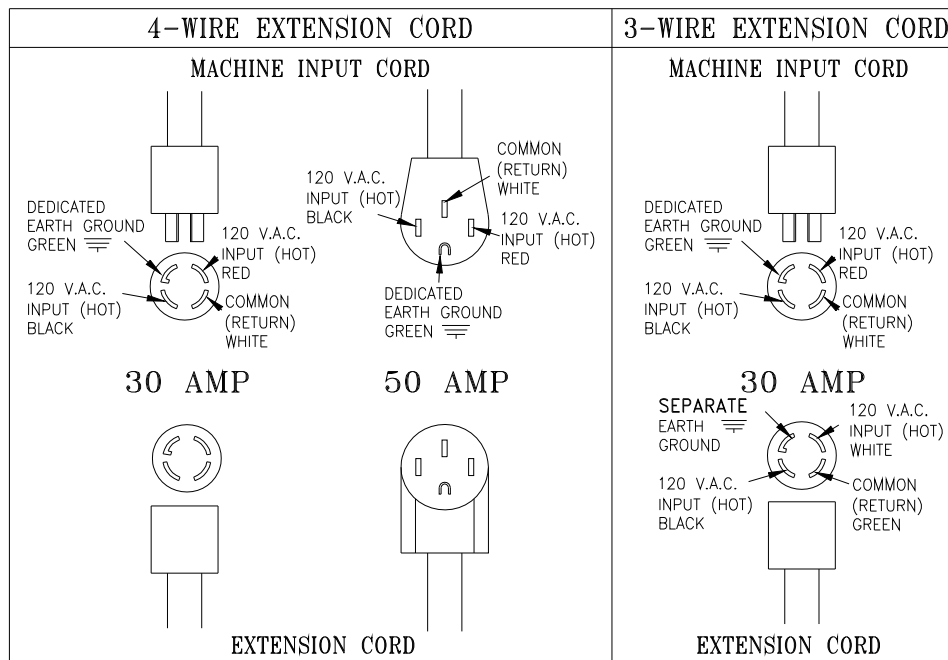
2. **For 240volt, 60hz. models only**, properly connect female receptacle to extension cord. See illustration F and consult electrician for assistance.



**Machine Hook-up (cont.)**



**Electrical Hook-up for 240volt, 60hz.**



(illustration F)

**IMPORTANT NOTE FOR 3-WIRE CORD:**

A separate isolated ground is required that connects the frame of the machine to an earth ground source. Serious injury or death may result if machine is **not** properly grounded. If you have any further questions, consult a qualified electrician.



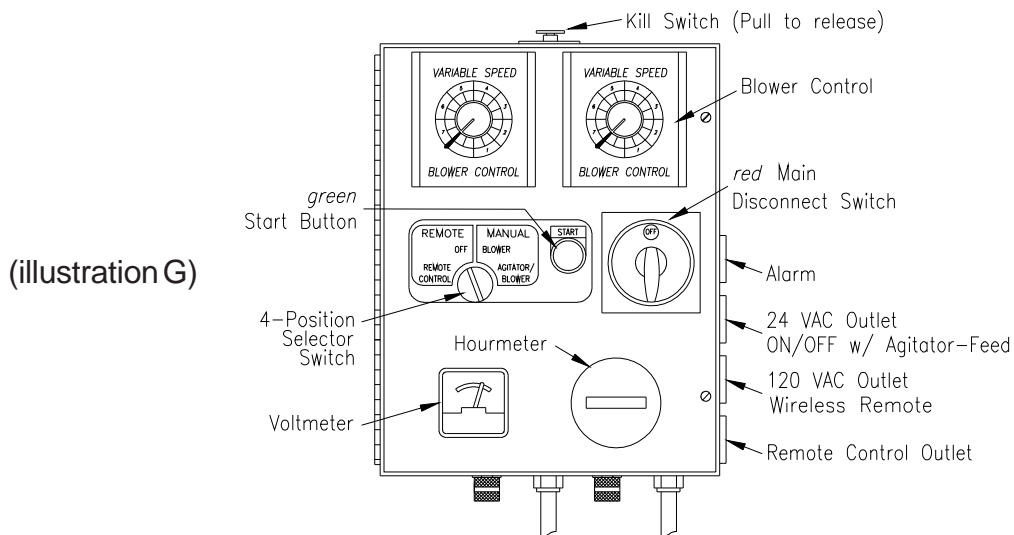
## Electrical Operation

**PRESS KILL SWITCH TO IMMEDIATELY STOP MACHINE AT ANY TIME!**

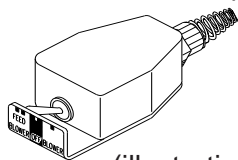
1. Make sure Kill Switch is out by pulling. (See illustration G)
2. Turn *red* Main Disconnect Switch to ON position. (See illustration G)
3. Set 4-Position Selector Switch to OFF. (See illustration G)
4. Press *green* start Button. **Machine will not run unless start button is pressed after Kill Switch is out and red Main Disconnect Switch is on.** (See illustration G)
5. Select operating mode on 4-Position Selector Switch from one of the following options:

- Remote:** Remote control hand pendant will control machine.
- Off:** Machine will not run. (overrides remote hand pendant)
- Blower:** Only the blower will run continuously. (manual control at machine)
- Agitator-Feed/Blower:** Both the blower and the agitator-feed will run continuously. (manual control at machine)

### Main Control Panel (lid closed)



6. When operating in **Remote mode**, the 4-Position Selector Switch must be set to **Remote** position. (See illustration G)
7. Remote control hand pendant positions will be selected from the following:



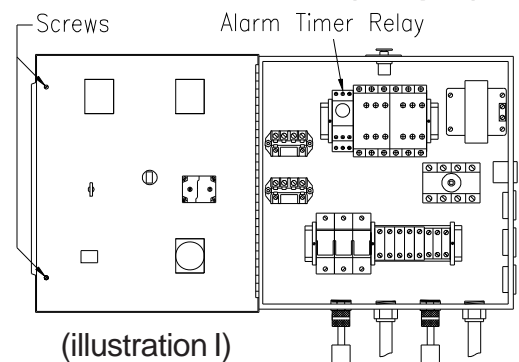
(illustration H)

- BLOWER-FEED** - operates both **blower motor** and **agitator-feed motor** simultaneously
- OFF** - (middle position) all functions stop
- BLOWER** - operates the **blower motor** only

8. If using optional Internal Wetting System (IWS), connect IWS cord to 24 VAC Outlet on Main Control Panel.
9. Adjust blower(s) and slidegate to desired settings. (See page 14)
10. **To adjust alarm time**, follow the procedure below: (See illustration I)

- a) Unplug machine from power source.
- b) Turn **off red** Main Disconnect Switch, loosen two screws in door, and open Main Control Panel lid.
- c) Turn Timer Relay knob to desired setting. (clockwise to **increase** warning time)
- d) Close lid, tighten two screws in door, plug in machine, turn on *red* Main Disconnect Switch and press *green* Start Button.
- e) Retest machine.

### Main Control Panel (lid open)



## Mechanical Settings

The control end of your machine contains blower and slidegate controls to adjust your machine for each application and type of fiber. (See illustration J) **Blower control** (air) and **slidegate** (material feed) are adjusted according to:

- APPLICATION: Open blow, retro-sidewall and spray-on applications require varying amounts of control.  
 TYPE OF MATERIAL: Cellulose, fiberglass, and mineral wool have different textures and densities that respond to machine settings.  
 HOSE: Corrugations or roughness of interior surface, diameter, length and elevation of hose will also require varying adjustments.  
 WEATHER CONDITIONS: Temperature and humidity may require day to day adjustment of machine settings.

### BLOWER CONTROL AND SLIDEGATE GENERAL SETTINGS:

Blower control can increase or decrease the amount of air in the system, affecting the velocity (speed) and spread rate (coverage) of fiber. (See illustration J) The blower control dial operates clockwise, from HIGH to LOW, controlling air pressure and amount of air.

Opening or closing slidegate (material feed) controls the amount of fiber dropping into the airlock which changes the production rate (lbs. per hour). (See illustration J) For calibration purposes the scale located on right side of machine indicates how many inches the airlock slidegate is opened.

The blower and slidegate controls **working together** affect the distance fiber can be blown through a hose without plugging. These controls also affect the accurate blowing of fibers for spraying applications.

These settings control the following:

- **Density** of fiber blown in retro-sidewall application.
- **Velocity** of material impact when spraying.
- **Dust** on open blow.
- Material **spread rate** or coverage.
- **Production** rate (lbs. per hour blown).

### GENERAL BLOWER/SLIDEGATE SETTINGS:

Since specific settings need to be determined by each operator, the following are only suggested guidelines. Consult the fiber manufacturer for additional recommendations specific to **their** product.

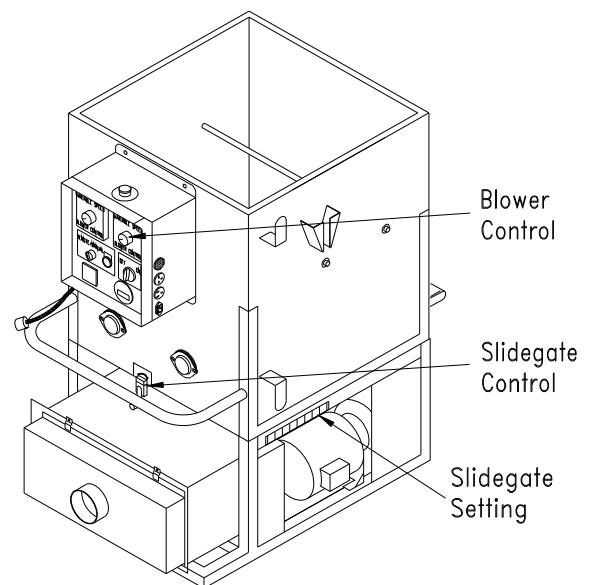
APPLICATION	BLOWER CONTROL	SLIDEGATE
Open Blow	High	Full Open
Sidewall-Retrofit	High	Half Open
Wall Cavity Spray	Medium	Half Open
Commercial Spray (Adhesive)	High	One-third Open

### GENERAL BLOWER CONTROL AND SLIDEGATE SETTINGS FOR OPEN BLOW:

(See illustration J)

With the **slidegate** closed, turn **agitator-feed motor on** and variable speed blower control(s) on low. Fill hopper with insulation and adjust **blower control** and **slidegate**. In making adjustments, move controls proportional to each other. (i.e. If variable speed **blower control** is half speed, **slidegate** should be half open.) Open slidegate to allow fiber to drop into the airlock providing good production, but not beyond point where hose plugs. As hose length is increased, the **blower control** speed is increased while closing the slidegate proportionally. This will increase the distance fiber can be blown through the hose and improve material coverage rate, while decreasing the blowing production rate (lbs. per hour blown). These adjustments are for open blow. If specialty application or retro sidewall work is done, refer to General Blower/Slidegate Settings chart (below left) or fiber manufacturer.

### Control End of Machine



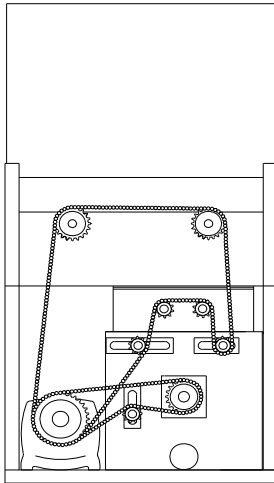
(illustration J)

## Mechanical Settings (cont.)

### OPTIONAL SHREDDER ASSEMBLY:

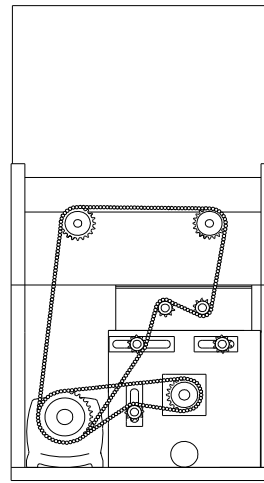
If this unit is supplied with a shredder assembly; airlock/agitator speeds are preset at the factory. **No** further sprocket setting speeds are needed, as this system will accommodate most fibers and applications. However, the shredder **direction** can be adjusted as described below.

### SHREDDER ADJUSTMENT:



(illustration K)

**Unidirectional Rotation** (See illustration K) is preferred as an all-around setting for a combination of materials and applications. This setting provides for the greatest **coverage** and **best control** of the fibers in wall cavity spray, commercial spray, internal wetting (stabilized) and open blow applications.



(illustration L)

**Center-Down Rotation** (See illustration L) force feeds the fiber into the airlock at a faster rate. This direction is preferred for the greatest **production** of various fibers in an open attic blow application although coverage may decrease.

## GENERAL MAINTENANCE

Periodic preventive maintenance will add years of life to your equipment. Reviewing the information in this manual will go a long way in reducing downtime and lost income. **To Flip hopper up** for easy maintenance of lower base unit: (See illustration M) Remove side screen guard of machine. Loosen idler sprocket and remove drive chain. Release hold down bolts at airlock end of machine and lift hopper back gently until it rests safely on the floor.

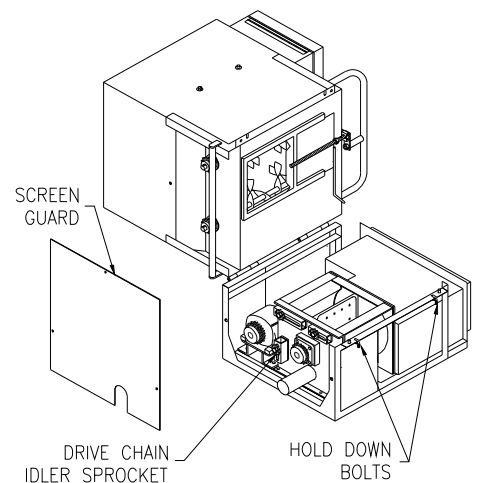


**KEEP CLEAN:** During operation, keep material from accumulating on Blower Filter. Always keep Filter in place while operating machine. After each use, remove fiber from hopper and blow out hose. (Use **BLOWER** mode at Main Control Panel or Hand Pendant.) Clean air from insulation hose can then be used to blow fiber from agitator motor and Blower Filter area. The *Blower Door* attached to this unit reduces filter maintenance.

### AIRLOCK:

**SEAL REPLACEMENT:** The purpose of the airlock seal is to trap air and fiber until it rotates 180° to the 6:00 o'clock position. At this point, fiber is pushed by air from the blower, out of the chamber. Worn or damaged seals allow air and fiber to escape back into hopper, thus reducing production and coverage. When it is necessary to replace seals, follow these directions:

Airlock rotor plates that are damaged (bent) will need replaced. (Refer to Rotor Plate Replacement on next page.) Take out rubber seal by removing six plate fastening bolts and top plate. The base plate will remain attached to airlock shaft. To install a new seal, reverse procedure. Seal should be inserted tight against the back base plate, pressing the lower tabs of seal down under the adjacent seal with a flat blade screwdriver. (See illustration N-1) Make sure all bolt holes are aligned while each side of seal is equally pressed against the end plates, before tightening bolts. Seal should be bent backwards for **counterclockwise** rotation, viewing from drive side of machine.

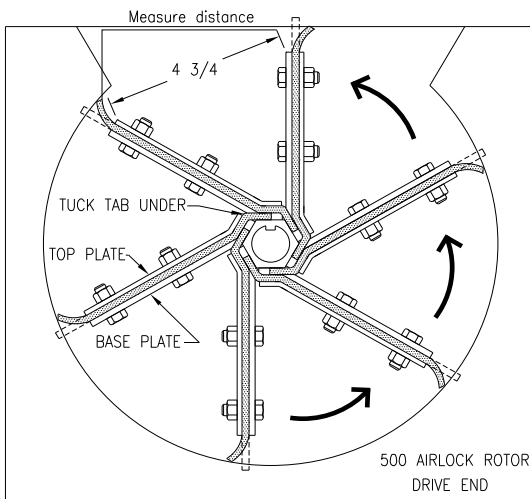


(illustration M)

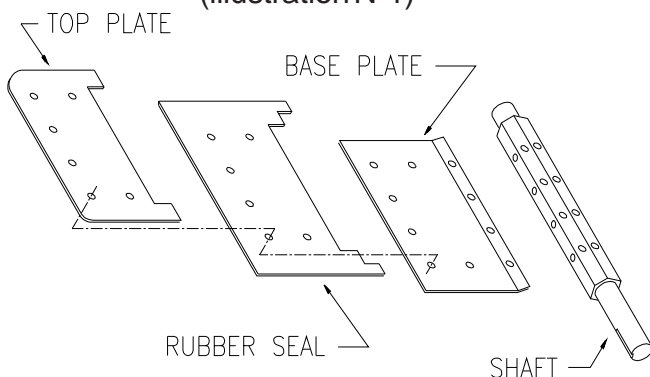
## General Maintenance (cont.)

### ROTOR PLATE REPLACEMENT:

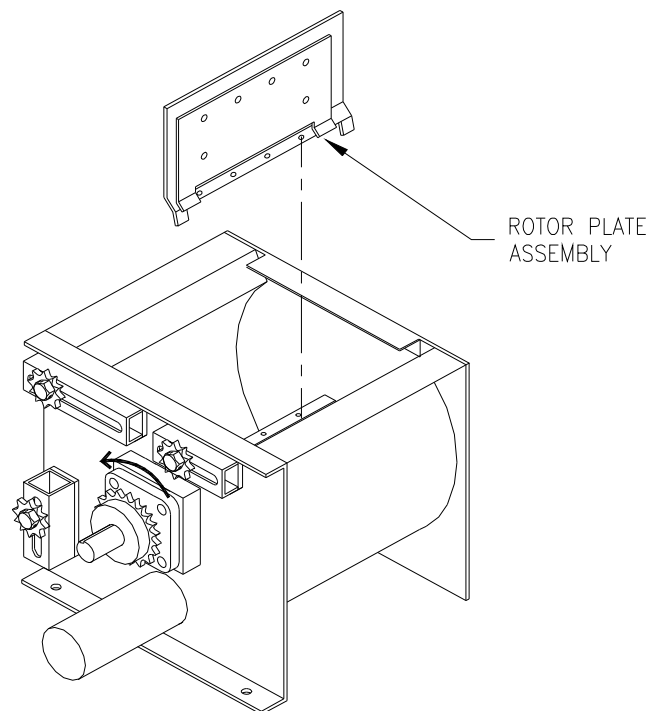
1. To check plates for proper angle, measure distance between outer edge of metal plates. (See illustration N-1) This measurement should be  $4 \frac{3}{4}$ ". Measure all six plates and replace as needed.
2. Remove damaged baseplate assembly from shaft using ratchet drive wrench with extension and 1/2" socket.
3. Check seal for wear and damage. (Installing seal and top plate on the bench is quick and easy). Remove bolts from plate assembly and replace with new seal. Make sure seal and top plate are assembled on **correct** side of base plate before assembling in airlock. Seal should press backward towards top plate when installed correctly into airlock chamber. (See illustration N-1)
4. Install the rotor plate assembly into the airlock. The airlock runs **counterclockwise** viewing it from the sprocket drive shaft. (See illustration O) Align the base plate with holes on airlock shaft using a tapered punch. **Caution:** Do not mount rotor plate backwards. If installed improperly, damage to seals will result and put undue stress on agitator motor. This causes overheating and poor production. Seal should be bent backward to allow for a **counterclockwise** rotation of rotor.
5. As rotor plate is installed, press bottom tab of seal under adjacent seal with flat blade screwdriver. (See illustration N-1)



(illustration N-1)



(illustration N-2)



(illustration O)

(Entire rotor plate assembly may be removed and replaced. This procedure maybe easier than replacing just the seals.)

### CHAIN: (#40 Nickel Plated)

**ADJUSTMENT:** A smooth operating chain drive should have a slight sag on the idler side of the chain. New chains should be installed under slight tension as they will elongate a small amount due to seating of pins and bushings during the first few days of operation. Excessive chain tension or loose chain will cause shortened life of bearings, chain and sprocket. Chain should be kept in good condition by proper lubrication (dry film lubricant Dow 321) and occasional cleaning. Soaking chain in container of 10 weight oil will provide for internal lubrication of pins and bushings. However, excess oil must be drained and wiped away as excessive lubrication will cause fiber accumulation on chain. Worn out chain should be replaced. When chain is replaced, worn sprockets should also be replaced, preventing further damage to new chain.

## General Maintenance (cont.)

### SPROCKETS:

CHECK SPROCKETS FOR WEAR. Misalignment and/or loose sprockets and improper chain tension causes the premature wear of chain and sprockets. All sprockets, except speed reducer and idler sprockets, have been secured with a medium grade Loctite (general purpose thread locker), to prevent gradual movement. The set screws and key are also inserted with a medium grade Loctite. If sprocket is difficult to remove, it may be heated with a propane torch to loosen.



**Caution:** Do not overheat sprocket or damage to bearing will result. A pulley or bearing puller can then be used to remove the sprocket and key. Replace new sprocket on shaft with key and medium grade Loctite applied to shaft. Align sprocket with corresponding sprocket, using a straightedge placed along face of teeth and tighten set screw.

### BEARINGS:

AGITATOR BEARINGS in hopper are prelubricated, double-sealed, self aligning ball bearings. **No** lubrication is necessary. If bearings produce noise or heat (*too-hot-to-touch*), the bearings should be replaced.

AGITATOR BEARING REPLACEMENT: Spray area with rust penetrant (WD-40). Remove sprocket (See SPROCKET section above). Remove the two bolts from bearing flange and outer flange from bearing insert. Loosen set screws on bearing hub at each end of agitator shaft. Since all set screws are installed with a medium grade Loctite, a propane hand torch may be used to assist in removing them. Do not overheat unit, causing shaft to expand. Using a rubber mallet, drive agitator shaft an inch in one direction, creating a space between hopper and bearing unit. A bearing puller can then be used to remove the bearing. Eliminate any metal burrs from shaft with file and install new bearings with felt seals. Use a medium grade Loctite on set screws before securing bearing to shaft. (Check shaft diameter before ordering bearings; 3/4" or 1")

AIRLOCK AND SHREDDER BEARINGS are prelubricated, double sealed, self aligning ball bearings. Lubrication **is** required at three month intervals of normal running time, or sooner if bearings produce a noise or become *too-hot-to-touch*. Relubrication at the grease fittings is done with a lithium base grease conforming to a NLGI GRADE TWO consistency. The grease should be pumped in slowly until a slight bead forms around the seals. This bead, in addition to acting as an indicator of adequate lubrication, provides additional protection against the entry of foreign matter. **Important:** If a slight bead does **not** form, indicating a failure of lubrication, or if bearing shows signs of wear, replace bearing.

AIRLOCK AND SHREDDER BEARING REPLACEMENT: Remove four bolts from airlock bearing flange (two bolts from shredder bearing flange) and follow steps above for agitator bearing replacement.

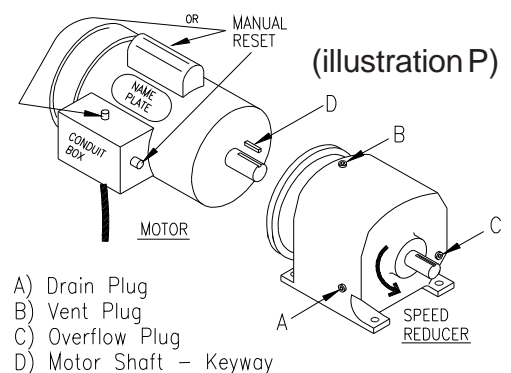
### SPEED REDUCER:

Periodically check oil level in reducer. Do not lay machine on its side as lubricant will drain from vent plug. If speed reducer malfunctions because of improper oil level or type used, **warranty is voided**. Oil seals at input and output drives are considered to be replaceable maintenance items and can affect oil level. These are available at power transmission suppliers.

LUBRICATION: This speed reducer was filled with oil at the factory to operate within +30°F to +125°F ambient temperature. After 1500 hours of operation, drain and refill with Klubersynth UH1 6-460 gear oil. If Klubersynth UH1 6-460 gear oil is not available, use multipurpose gear oil SAE #90 for ambient temperatures from +40°F to +120°F. For temperatures below +40°F use SAE #80 multipurpose gear oil. Correct oil level for mounted unit is just below pipe plug (C on illustration P) in side position.

### LUBRICANT REPLACEMENT: (See illustration P)

1. Drain: With output shaft of speed reducer facing you, remove plug (A) lower front with 1/4" hex key wrench. Allow unit to completely drain and replace plug.
2. Remove vent plug (B) on top of reducer, and plug (C) on left side.
3. Fill with recommended lubricant (use Mobilgear 630 gear oil) through vent plug (B) opening, using a flexible funnel, until lubricant exits the left side opening (C). (Make sure speed reducer is level when replacing lubricant.)
4. Replace vent plug (B) and left plug (C).





## General Maintenance (cont.)

### AGITATOR MOTOR:

If agitator motor runs hot, activating the manual reset on motor, or if unit does not run properly, refer to troubleshooting sections of manual. The agitator motor should start quickly and run smoothly. If not, shut motor off **immediately** and check the cause. Low voltage, incorrect power supply, or misconnected wiring could cause motor failure. **These conditions void the motor warranty.** Overload conditions can be detected by checking the electrical current (amperage) compared with nameplate current(amperage) located on the body of the motor.

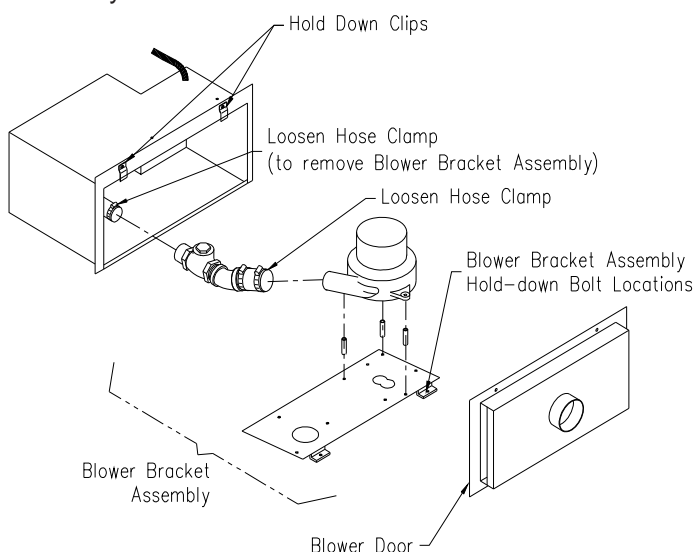
**AGITATOR MOTOR REPLACEMENT:** Unwire motor from Main Control Panel. Remove drive chain and flip hopper up as described at the beginning of General Maintenance section. Place a support block under motor to reduce stress while removing four reducer flange bolts with a 9/16" socket wrench. (If rear bolts are difficult to reach, remove reducer unit from lower frame for better access.) Pry motor from speed reducer a slight distance, using a large flat blade screwdriver placed in one of the slots where they join together. Pull motor unit straight away from speed reducer, retaining key. If motor does not separate easily call factory for assistance. (See illustration P) Before installing replacement motor, refer to motor nameplate. Check connection of new cord for correct voltage (low or high) and **PROPER ROTATION of motor output shaft (counterclockwise facing output shaft)**. Rotate keyways of motor shaft (D) and quill (input) of speed reducer to 12:00 o'clock position. (To turn speed reducer shaft, remove chain on output of speed reducer.) Attach the key 3/4" off the end of the motor shaft (D) and coat motor shaft with anti-seize compound. Align and insert the motor shaft carefully into the input quill. (A flat blade screwdriver may be helpful to keep key in place as motor shaft is inserted or centerpunch indentation on motor shaft.) Secure to flange with four hex bolts.

**Caution:** If the motor does not readily seat itself, check if **key** has moved axially along motor shaft, causing interference. Tightening motor to reducer with excessive pressure against key will cause premature bearing failure on motor and reducer and overheating of motor. Connect motor to Main Control Panel and check for correct rotation of **speed reducer** output shaft (**counterclockwise**). Reconnect drive chain and assemble unit.

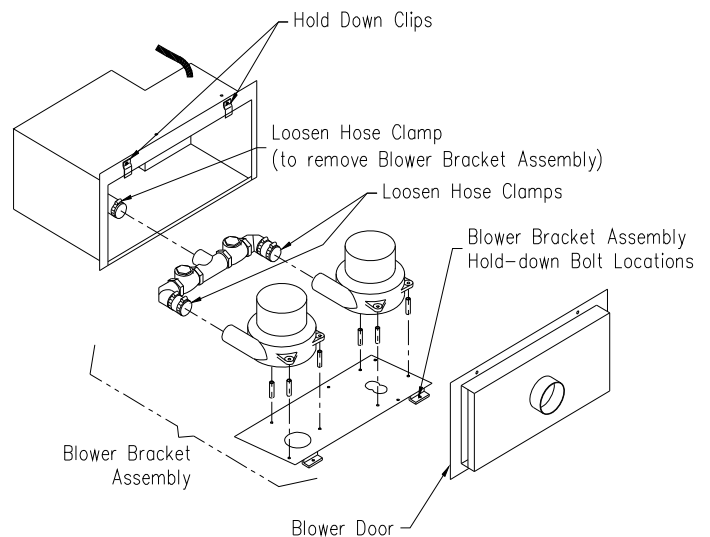
### BLOWER MOTOR:

Periodically remove Blower Filter and vacuum any material that has accumulated inside of blower box and around blower motor. Blow out any remaining debris around motor and intake orifice of fan with compressed air. This will extend the life of the blower significantly. Blower Filter life can be extended by occasional removing and blowing out with compressed air. Filter should be replaced periodically depending on use. If blower produces noise or heat, refer to troubleshooting section of manual.

**BLOWER REPLACEMENT:** Unwire Blower from Main Control Panel and remove Blower Door by loosening the two hold down clips. (See illustration Q) Take note of electrical connections on blower and remove wire nuts from lead wires. Loosen hose clamp at the rear of the blower. Remove blower bracket assembly, secured with two bolts, from blower box. Loosen clamp and hose from blower. Remove three bolts and spacers from blower bracket and remove blower. Reverse procedure for assembly.



**Single 12.5 Amp (6 Amp 230 volt) 3-Stage Blower**



**Double 12.5 Amp (6 Amp 230 volt) 3-Stage Blower**

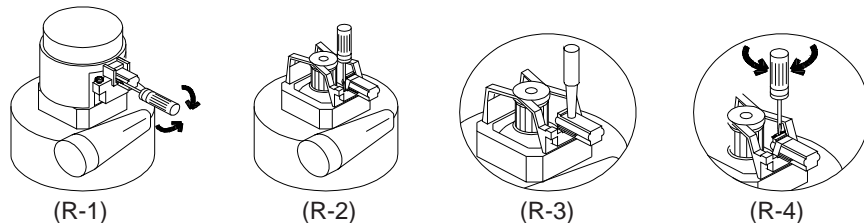
(illustration Q)

## General Maintenance (cont.)

**CARBON BRUSH REPLACEMENT 8 AMP (4 AMP 230 volt) 2-STAGE BLOWER:** (See illustration R) Order replacement brushes from your supplier to assure proper brush style. Carbon brushes need to be replaced when excessive arcing is produced on the commutator. This would be evident by an intermittent scratchy sound with loss of blower r.p.m. Replace brushes before brush shunt touches the commutator.

1. Remove Blower from Blower Box. (See Blower Replacement on previous page)
2. To replace brush assembly; use a flat blade screwdriver to carefully release housing latch located at base of brush assembly. (See illustration R-1)
3. Remove brush holder clamp using a Phillips head screwdriver. (See illustration R-2)
4. **Lightly** tap brush holder at the front/center portion of the unit to release barb on spade of wire connector. (See illustration R-3)
5. Pry spade connector from brush assembly housing and replace brush. (See illustration R-4) If spade connector does not remove easily, repeat step 3. On reassembly and handling, the lead wires must be kept away from rotating parts and motor frame.
6. To achieve best performance, the new brushes should be seated on the commutator before full voltage is applied. To seat brushes, run variable speed blower control on medium speed for thirty minutes after brush change. The motor will return to full performance after an additional thirty to forty-five minutes running period at full voltage (BLOWER CONTROL on high). Application of full voltage directly after changing brushes will cause arcing, commutator pitting, and reduced overall life. Brushes can normally be changed two times before armature and other component replacement is required.
7. Reinstall Blower into Blower Box and wire Blower into Main Control Panel.

**8 Amp (4 Amp 230 volt)  
2-Stage Blower Motor  
(Brush Replacement)**

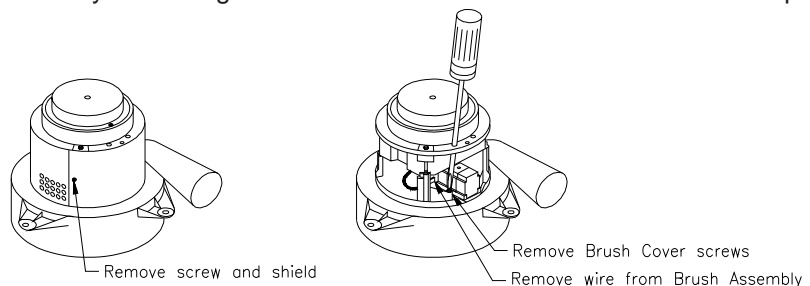


(illustration R)

**CARBON BRUSH REPLACEMENT for 12.5 Amp (6 AMP 230 volt) 3-STAGE BLOWER:** (See illustration S) Order replacement brushes from your supplier to assure proper brush style. Carbon brushes need to be replaced when excessive arcing is produced on the commutator. This would be evident by an intermittent scratchy sound with loss of blower r.p.m. Replace brushes before brush shunt touches the commutator.

1. Remove Blower from Blower Box. (See Blower Replacement on previous page)
2. Remove screw and shield from blower. (See illustration S)
3. Unhook wire connected to Brush Assembly.
4. Remove Brush Cover screws by inserting screwdriver through hole in blower housing and turning screw.
5. Pull out old Brush Assembly and install new Brush Assembly and Brush Cover.
6. Connect wire to Brush Assembly and reassemble blower shield. On reassembly and handling, the lead wires must be kept away from rotating parts and motor frame.
7. To achieve best performance, the new brushes should be seated on the commutator before full voltage is applied. To seat brushes, run variable speed blower control on medium speed for thirty minutes after brush change. The motor will return to full performance after an additional thirty to forty-five minutes running period at full voltage (BLOWER CONTROL on high). Application of full voltage directly after changing brushes will cause arcing, commutator pitting, and reduced overall life. Brushes can normally be changed two times before armature and other component replacement is required.

**12.5 Amp (6 Amp 230 volt)  
3-Stage Blower Motor  
(Brush Replacement)**



(illustration S)



# ELECTRICAL SYSTEM

**General Operation:** (See illustration T for sequence and illustrations G,U,V and W for components)

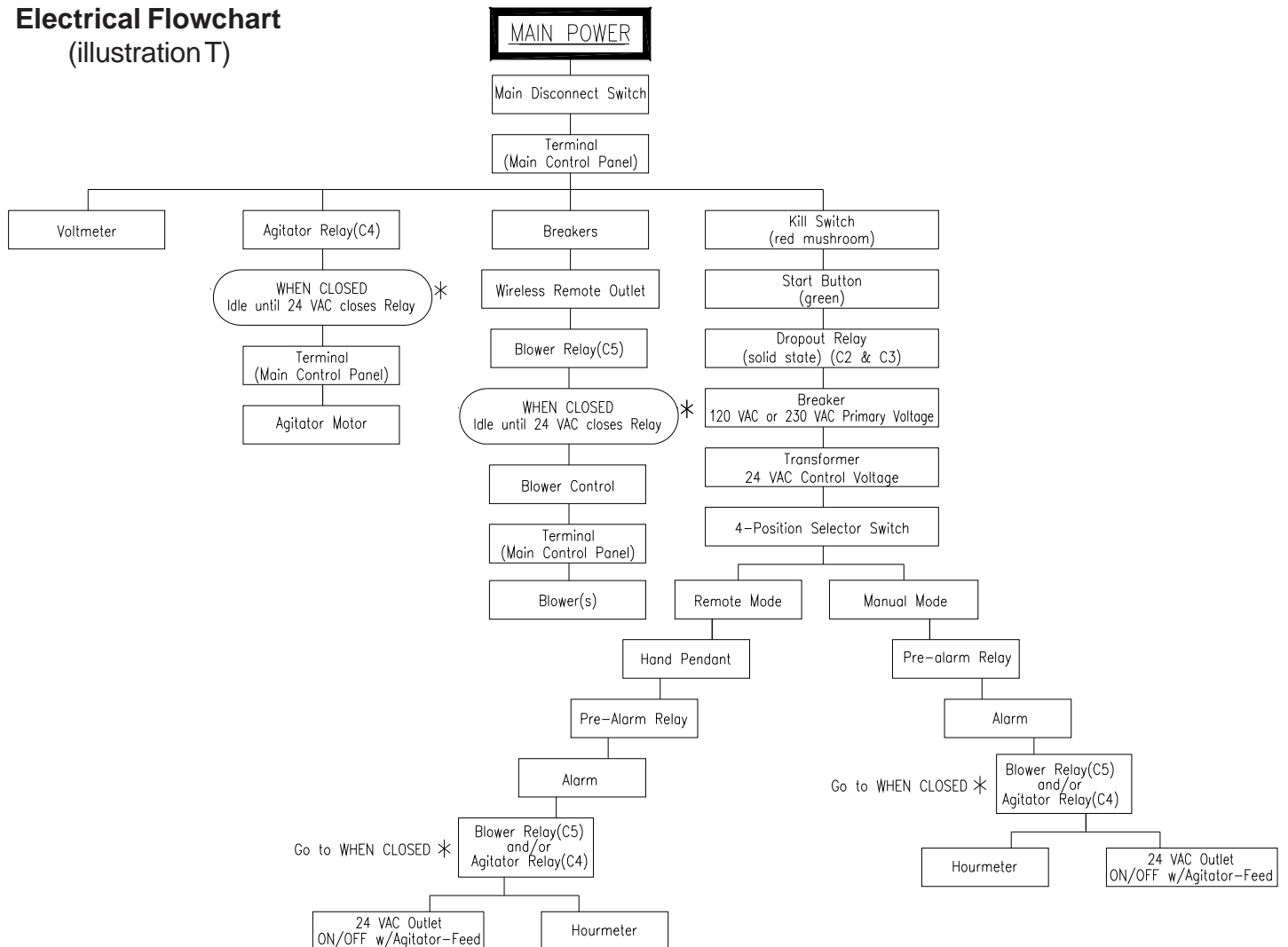
This unit is powered by **one** or **two** separate input sources connected at the bottom of the Main Panel Box. Turning the Main Disconnect Switch (*yellow* and *red* switch located on front of Main Control Panel) to the ON position distributes power to the Terminal Boards of the Main Control Panel, Voltmeter, Kill Switch, and the Upper Terminals of the agitator (C4) and the blower (C5) relays.

When the Kill Switch (*red* mushroom button) is released (closed) and the *green* Start Button is pressed, power is supplied to the dropout relay(s) and the transformer. The transformer supplies 24 VAC to the 4-Position Selector Switch located on the front of the Main Panel Box.

When the 4-Position Selector Switch is turned to MANUAL mode or the 4-Position Selector Switch is set to REMOTE mode with remote control hand pendant switch closed, 24 VAC is supplied to the Pre-Alarm relay, sounding the alarm for a preset time. After the alarm stops, 24 VAC powers the blower (C5) and/or agitator (C4) relays.

When the agitator (C4) relay is closed, power is also supplied to the 24 VAC ON/OFF Outlet on Main Control Panel. If power is interrupted to this system by unplugging either main input cord(s), turning Main Disconnect Switch OFF, or pressing Kill Switch; the *green* Start Button needs to be **pressed** to reactivate the system **after** power distribution into the system has been reestablished. (See illustrations U, V & W for more details.)

## Electrical Flowchart (illustration T)



## Electrical System (cont.)

### Electrical Diagram Description for Pages 22-29:

Tags have been placed at the end of each wire in the electrical system to identify specific wires. This identification code is as follows:

- First letter - identifies component classification
- Second number - indicates specific component
- Decimal number/letter - identifies the terminal on the component

Letter next to identification code indicates **color code**.

Second series of numbers and letters **after dash** which identify connection at opposite end of wire are as follows:

- First letter - identifies component classification
- Second number - indicates specific component
- Decimal number/letter - identifies the terminal on the component

Example: R1.8-4SBL.1

Wire is connected between Relay #1, terminal 8 and Four Position Selector Switch Bottom Left, terminal 1.

### LEGENDS FOR ELECTRICAL DIAGRAM

#### Electrical Component Abbreviations

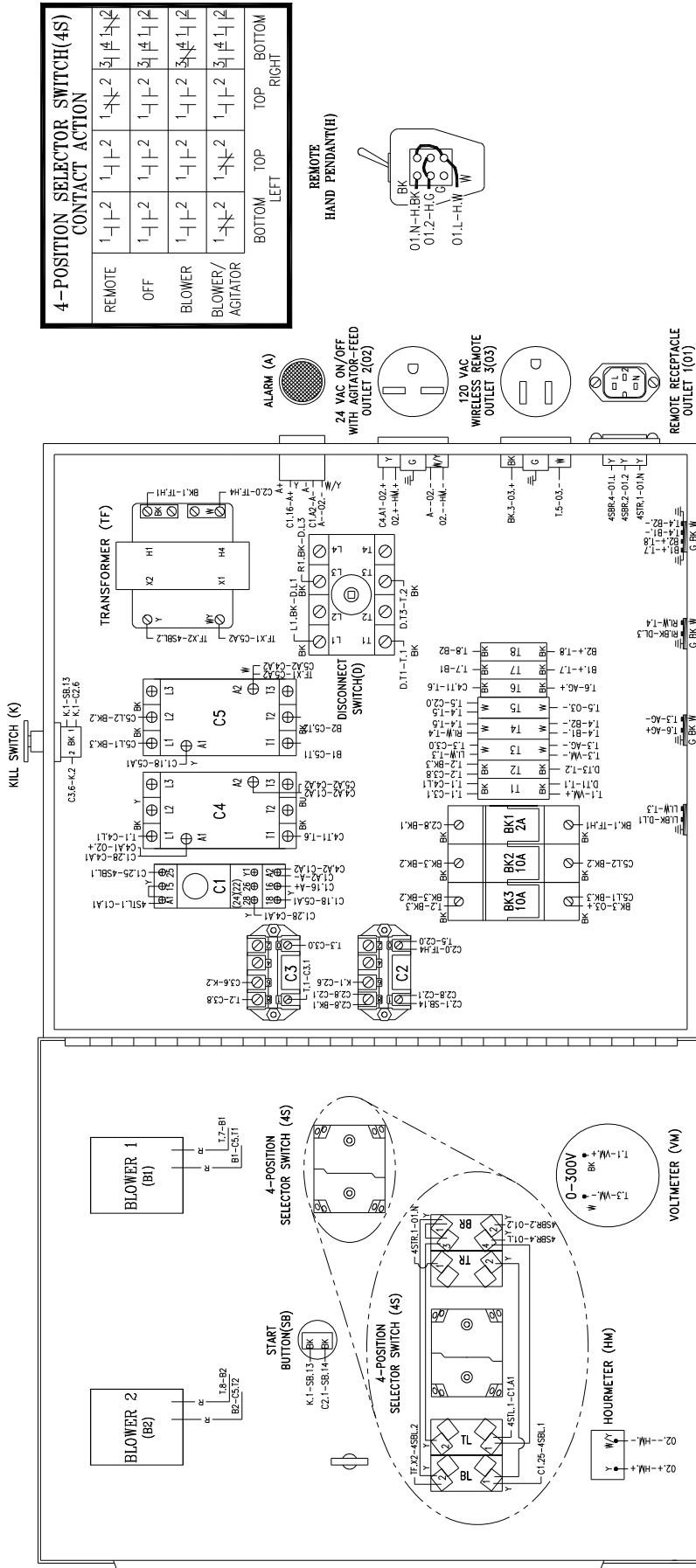
- TF = Transformer (.H1, .H4, .X1, .X2)
- C = Relay (C1, C2, C3, etc.)
- D = Disconnect Switch (.L = Disconnect input Line/ .T = Disconnect output Terminal)
- BK = Breaker (BK1, BK2, etc.)
- T = Terminal Board for Main Control Panel
- I = Input Cord
- RI = Right Input Cord (for Blower)
- LI = Left Input Cord (for Agitator)
- O = Outlet (O1, O2, O3, O4, etc.)
- V = Voltmeter
- H = Hand Pendant
- A = Alarm
- K = Kill Switch
- J = Junction Box Terminal Board
- B = Blower (B1, B2, etc.)
- 4S = Four Position Selector Switch
- SB = Start Button
- 4SBL = Four Position Selector Switch Bottom Left
- 4STL = Four Position Selector Switch Top Left
- 4STR = Four Position Selector Switch Top Right
- 4SBR = Four Position Selector Switch Bottom Right
- HM = Hourmeter

NOTE: Decimal letters (.L, .N, .H, .X) indicate terminal locations on the component.

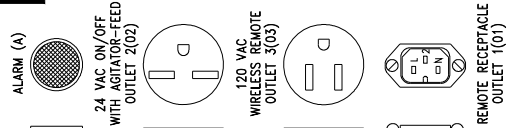
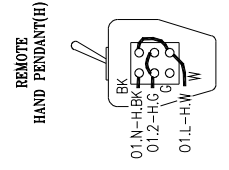
## ELECTRICAL DIAGRAM:

Periodically, disconnect machine from power source and check all electrical connections and components for broken or loose wires.

### MODEL #500 120 V.A.C. — 60 HZ 1Ø (2) 2-STAGE BLOWERS (ELU11-109064)



4-POSITION SELECTOR SWITCH(4S) CONTACT ACTION			
REMOTE	1-1-2	1-1-2	1-1-2
REMOTE	1-1-2	1-1-2	1-1-2
OFF	1-1-2	1-1-2	1-1-2
BLOWER	1-1-2	1-1-2	1-1-2
BLOWER/ AGITATOR	1-1-2	1-1-2	1-1-2



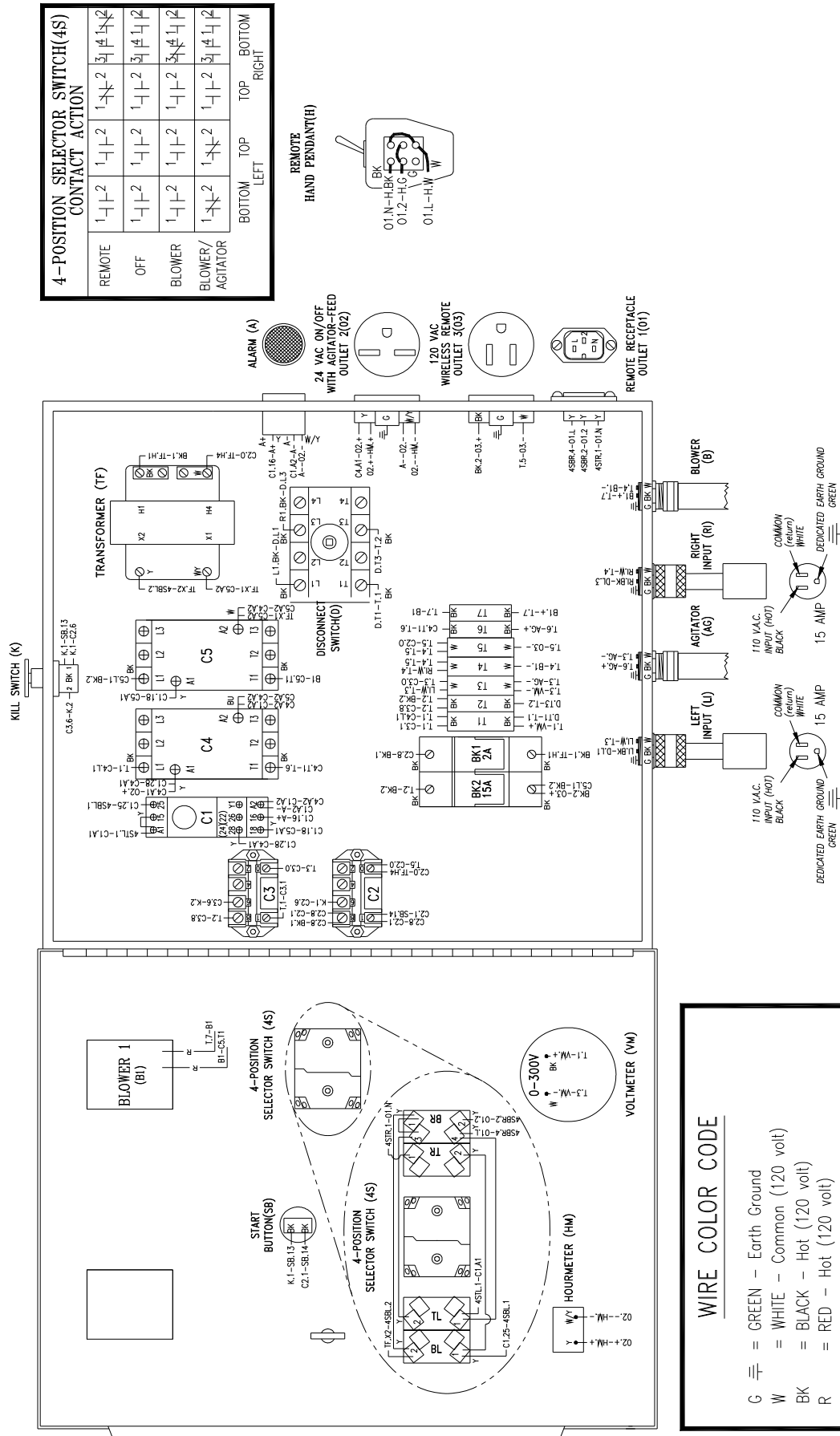
### WIRE COLOR CODE

G	=	GREEN	-	Earth Ground
W	=	WHITE	-	Common (120 volt)
BK	=	BLACK	-	Hot (120 volt)
R	=	RED	-	Hot (120 volt)
Y	=	YELLOW	-	Hot (24 volt)
W/Y	=	WHITE/YELLOW STRIPE	-	Common (24 volt)

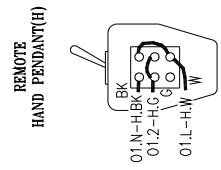
(illustration U)

**ELECTRICAL DIAGRAM:** Periodically, disconnect machine from power source and check all electrical connections and components for broken or loose wires.

## MODEL #500 120 V.A.C. — 60 Hz 1Ø (1) 3-STAGE BLOWER (ELU11-109066)



4-POSITION SELECTOR SWITCH (4S) CONTACT ACTION			
REMOTE	1-1-2	1-1-2	1-1-2
OFF	1-1-2	1-1-2	1-1-2
BLOWER	1-1-2	1-1-2	1-1-2
BLOWER/AGIATOR	1-1-2	1-1-2	1-1-2



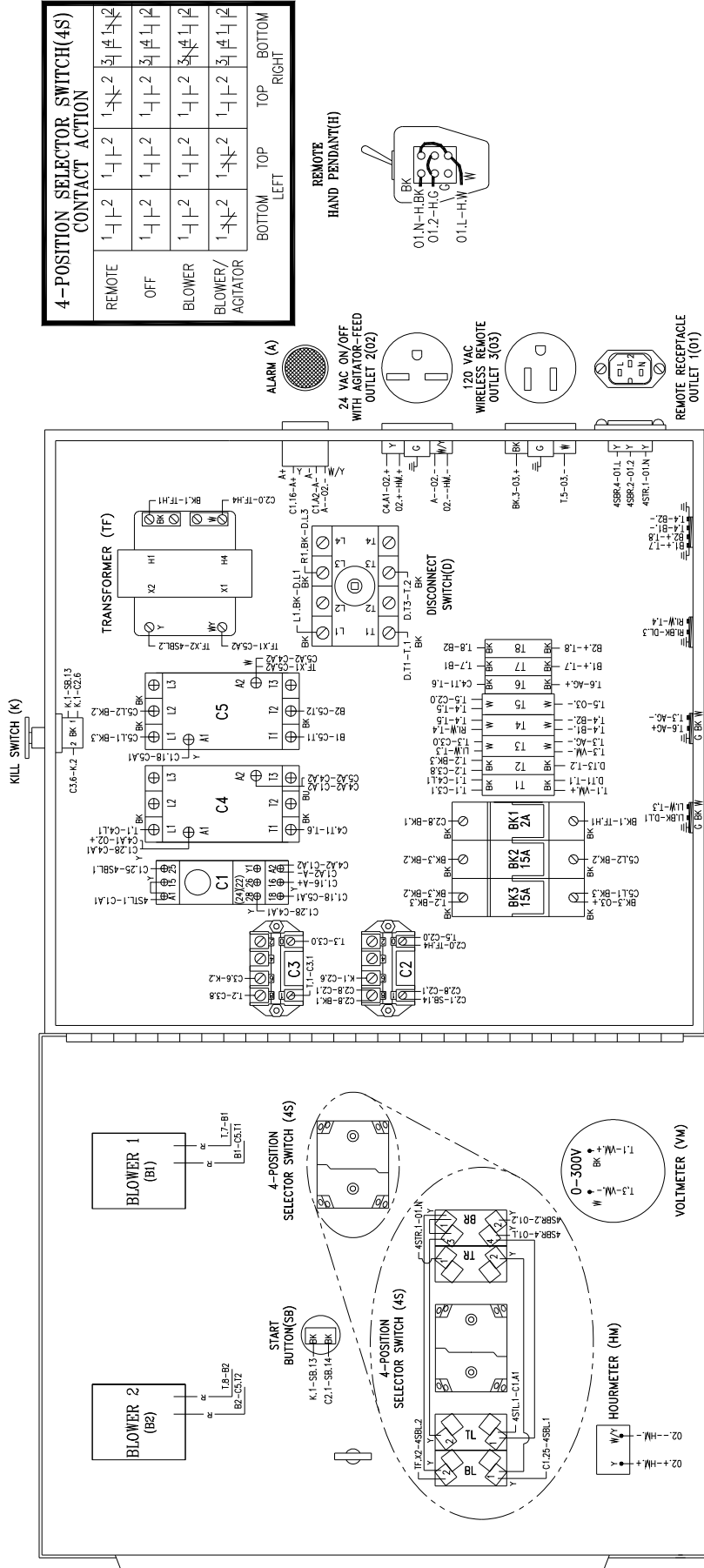
WIRE COLOR CODE	
G	= GREEN — Earth Ground
W	= WHITE — Common (120 volt)
BK	= BLACK — Hot (120 volt)
R	= RED — Hot (120 volt)
Y	= YELLOW — Hot (24 volt)
W/Y	= WHITE/YELLOW STRIPE — Common (24 volt)

(illustration U-1)

**ELECTRICAL DIAGRAM:**

Periodically, disconnect machine from power source and check all electrical connections and components for broken or loose wires.

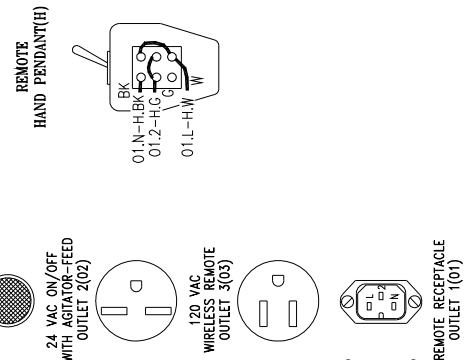
**MODEL #500**  
**120 V.A.C. — 60 Hz 1Ø**  
**(2) 3-STAGE BLOWERS (ELU11-109067)**



**4-POSITION SELECTOR SWITCH(4S) CONTACT ACTION**

REMOTE	1-1-2	1-1-2	1-1-2	1-1-2
OFF	1-1-2	1-1-2	1-1-2	1-1-2
BLOWER	1-1-2	1-1-2	1-1-2	1-1-2
BLOWER/AGITATOR	1-1-2	1-1-2	1-1-2	1-1-2

BOTTOM LEFT    TOP LEFT    TOP RIGHT    BOTTOM RIGHT



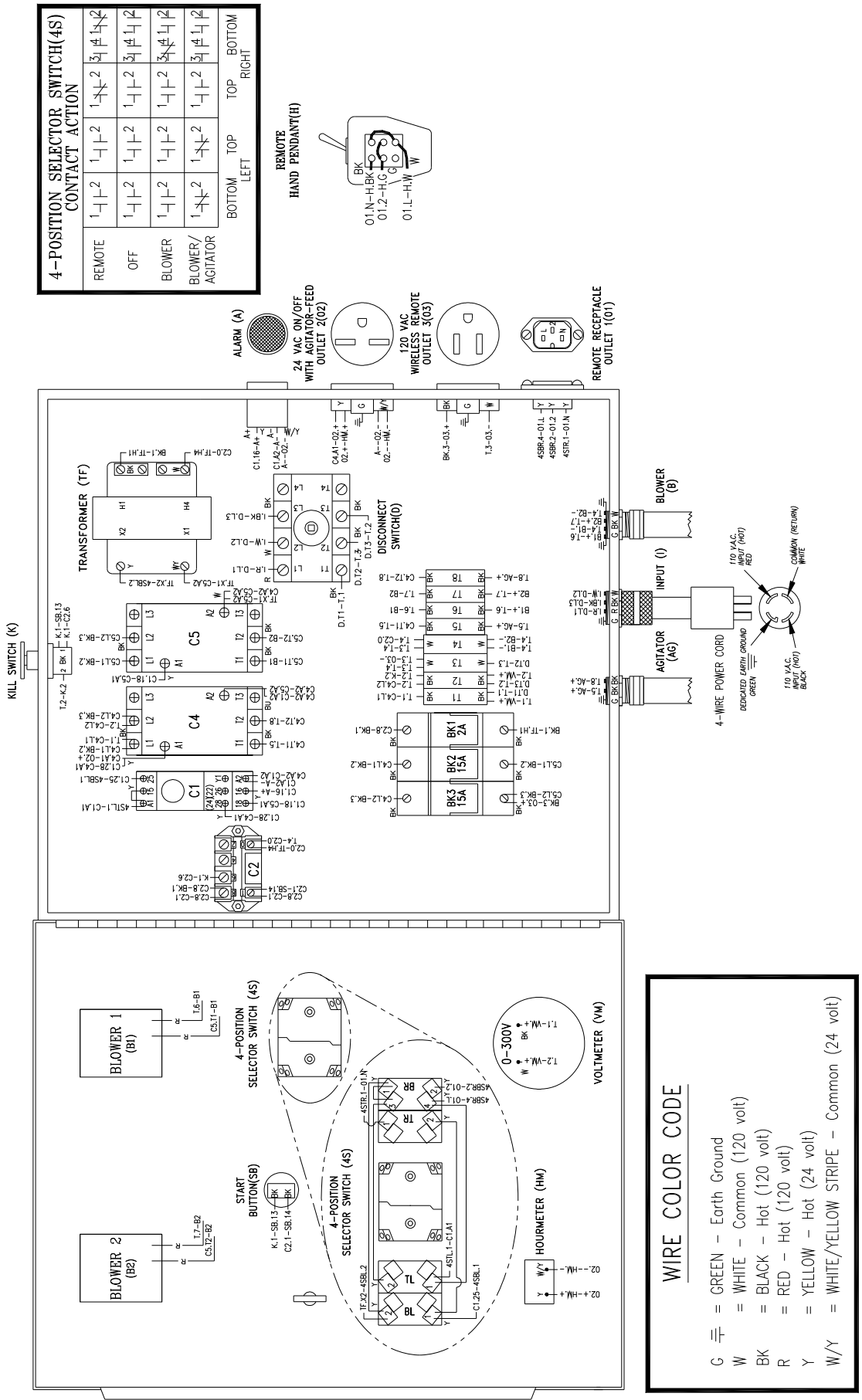
**WIRE COLOR CODE**

- G = GREEN — Earth Ground
- W = WHITE — Common (120 volt)
- BK = BLACK — Hot (120 volt)
- R = RED — Hot (120 volt)
- Y = YELLOW — Hot (24 volt)
- W/Y = WHITE/YELLOW STRIPE — Common (24 volt)

(illustration U-2)

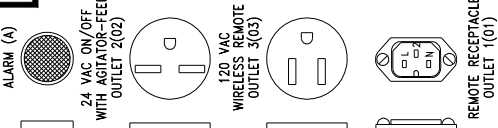
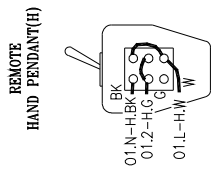
**ELECTRICAL DIAGRAM:** Periodically, disconnect machine from power source and check all electrical connections and components for broken or loose wires.

**MODEL #500  
240 V.A.C. — 60 Hz 1Ø  
(2) 2-STAGE BLOWERS (ELU11-109063)**



**4-POSITION SELECTOR SWITCH(4S)  
CONTACT ACTION**

REMOTE	1-1-2	1-1-2	1-1-2	1-1-2
OFF	1-1-2	1-1-2	1-1-2	1-1-2
BLOWER	1-1-2	1-1-2	1-1-2	1-1-2
BLOWER/ AGITATOR	1-1-2	1-1-2	1-1-2	1-1-2
	BOTTOM	TOP	TOP	BOTTOM
	LEFT	LEFT	RIGHT	RIGHT



**WIRE COLOR CODE**

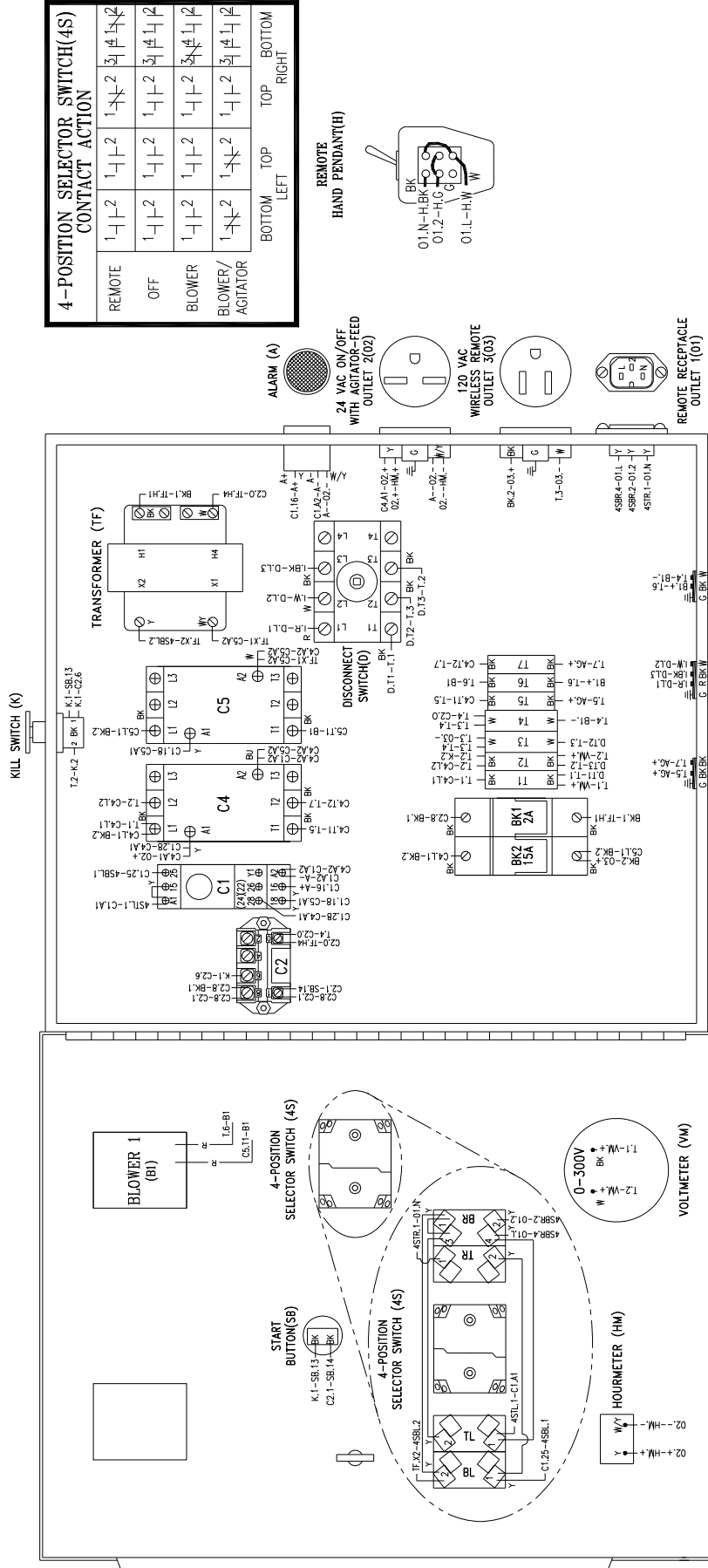
- G = GREEN - Earth Ground
- W = WHITE - Common (120 volt)
- BK = BLACK - Hot (120 volt)
- R = RED - Hot (120 volt)
- Y = YELLOW - Hot (24 volt)
- W/Y = WHITE/YELLOW STRIPE - Common (24 volt)

(illustration V)

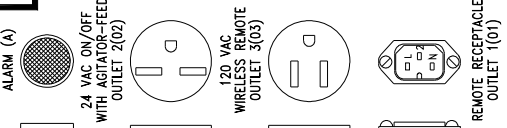
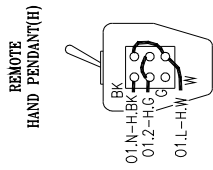
**ELECTRICAL DIAGRAM:**

Periodically, disconnect machine from power source and check all electrical connections and components for broken or loose wires.

**MODEL #500**  
**240 V.A.C. — 60 Hz 1Ø**  
**(1) 3-STAGE BLOWERS (ELU10-109065)**



4-POSITION SELECTOR SWITCH(4S)				
	CONTACT ACTION			
REMOTE	1-1-2	1-1-2	1-1-2	1-1-2
OFF	1-1-2	1-1-2	1-1-2	1-1-2
BLOWER	1-1-2	1-1-2	1-1-2	1-1-2
BLOWER/AGITATOR	1-1-2	1-1-2	1-1-2	1-1-2
	BOTTOM	TOP	TOP	BOTTOM
	LEFT	LEFT	RIGHT	RIGHT



**WIRE COLOR CODE**

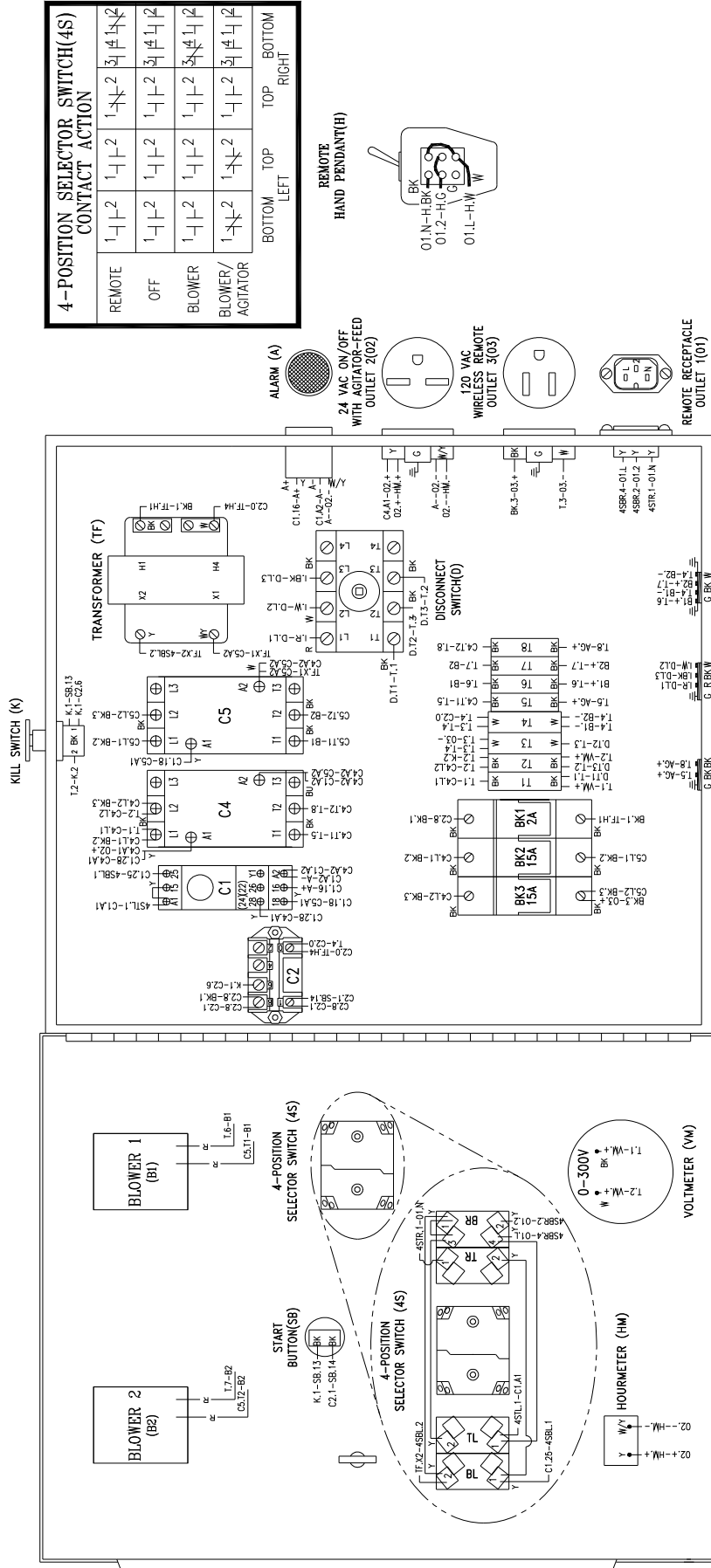
- G = GREEN - Earth Ground
- W = WHITE - Common (120 volt)
- BK = BLACK - Common (120 volt)
- R = RED - Hot (120 volt)
- Y = YELLOW - Hot (120 volt)
- W/Y = WHITE/YELLOW STRIPE - Common (24 volt)

(illustration V-1)



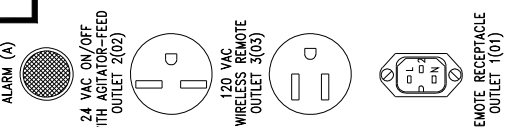
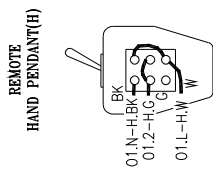
**ELECTRICAL DIAGRAM:** Periodically, disconnect machine from power source and check all electrical connections and components for broken or loose wires.

**MODEL #500**  
**240 V.A.C. — 60 Hz 1Ø**  
**(2) 3-STAGE BLOWERS (ELU10-109070)**



**4-POSITION SELECTOR SWITCH(4S) CONTACT ACTION**

REMOTE	1-1-2	1-1-2	1-1-2	3-1-4	1-1-2
OFF	1-1-2	1-1-2	1-1-2	3-1-4	1-1-2
BLOWER	1-1-2	1-1-2	1-1-2	3-1-4	1-1-2
BLOWER/AGIATOR	1-1-2	1-1-2	1-1-2	3-1-4	1-1-2
	BOTTOM	TOP	LEFT	TOP	RIGHT



**WIRE COLOR CODE**

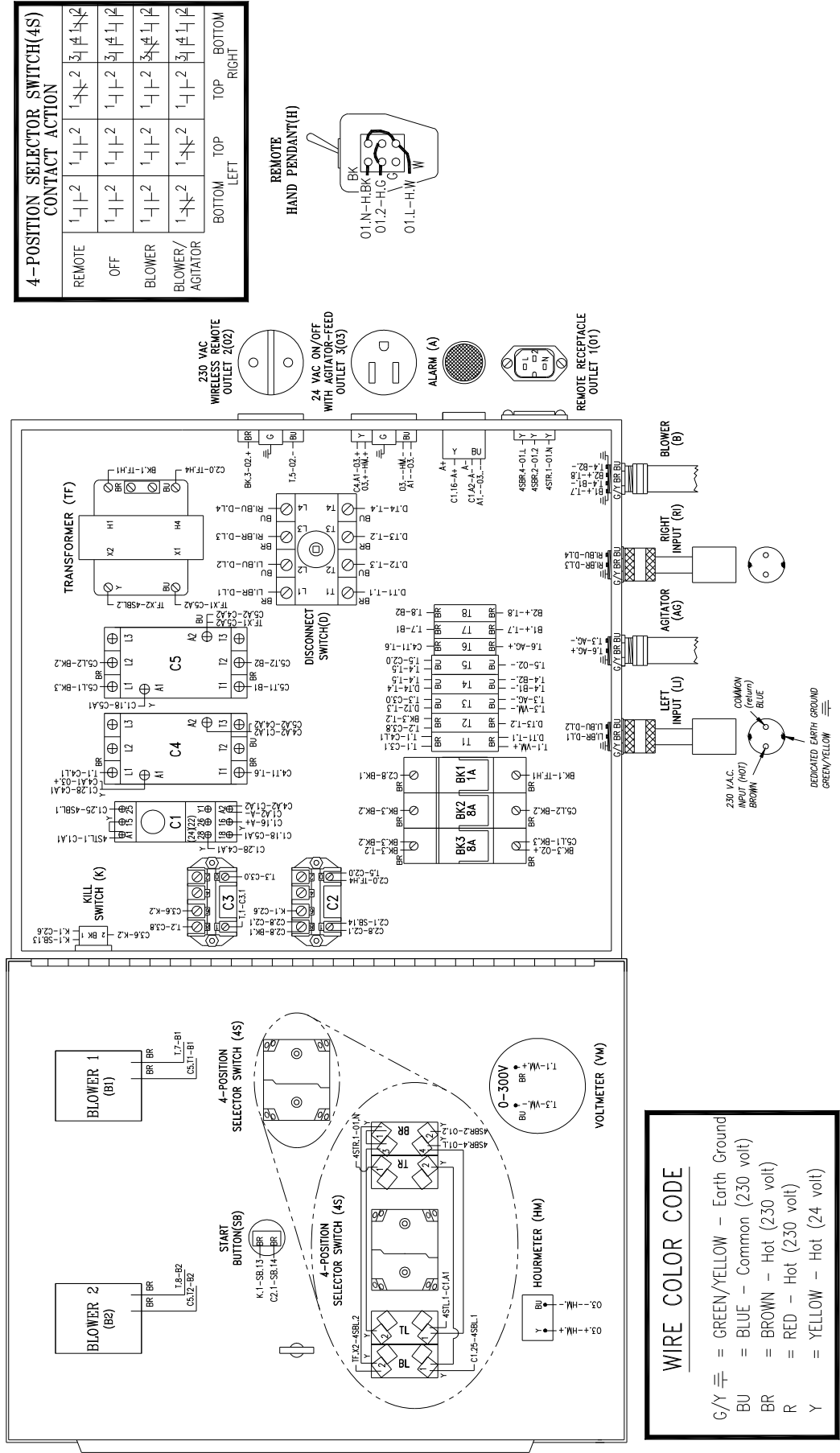
- G = GREEN - Earth Ground
- W = WHITE - Common (120 volt)
- BK = BLACK - Hot (120 volt)
- R = RED - Hot (120 volt)
- Y = YELLOW - Hot (24 volt)
- W/Y = WHITE/YELLOW STRIPE - Common (24 volt)

(illustration V-2)

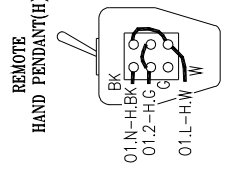
**ELECTRICAL DIAGRAM:**

Periodically, disconnect machine from power source and check all electrical connections and components for broken or loose wires.

**MODEL #500**  
**230 V.A.C. — 50 Hz (Double Input) 1Ø**  
**(2) 3-STAGE BLOWERS (ELU10-109072)**



4-POSITION SELECTOR SWITCH(4S)			
CONTACT ACTION			
REMOTE	1-1-2	1-1-2	1-1-2 1-1-2
OFF	1-1-2	1-1-2	1-1-2 1-1-2
BLOWER	1-1-2	1-1-2	1-1-2 1-1-2
BLOWER/AGITATOR	1-1-2	1-1-2	1-1-2 1-1-2



**WIRE COLOR CODE**

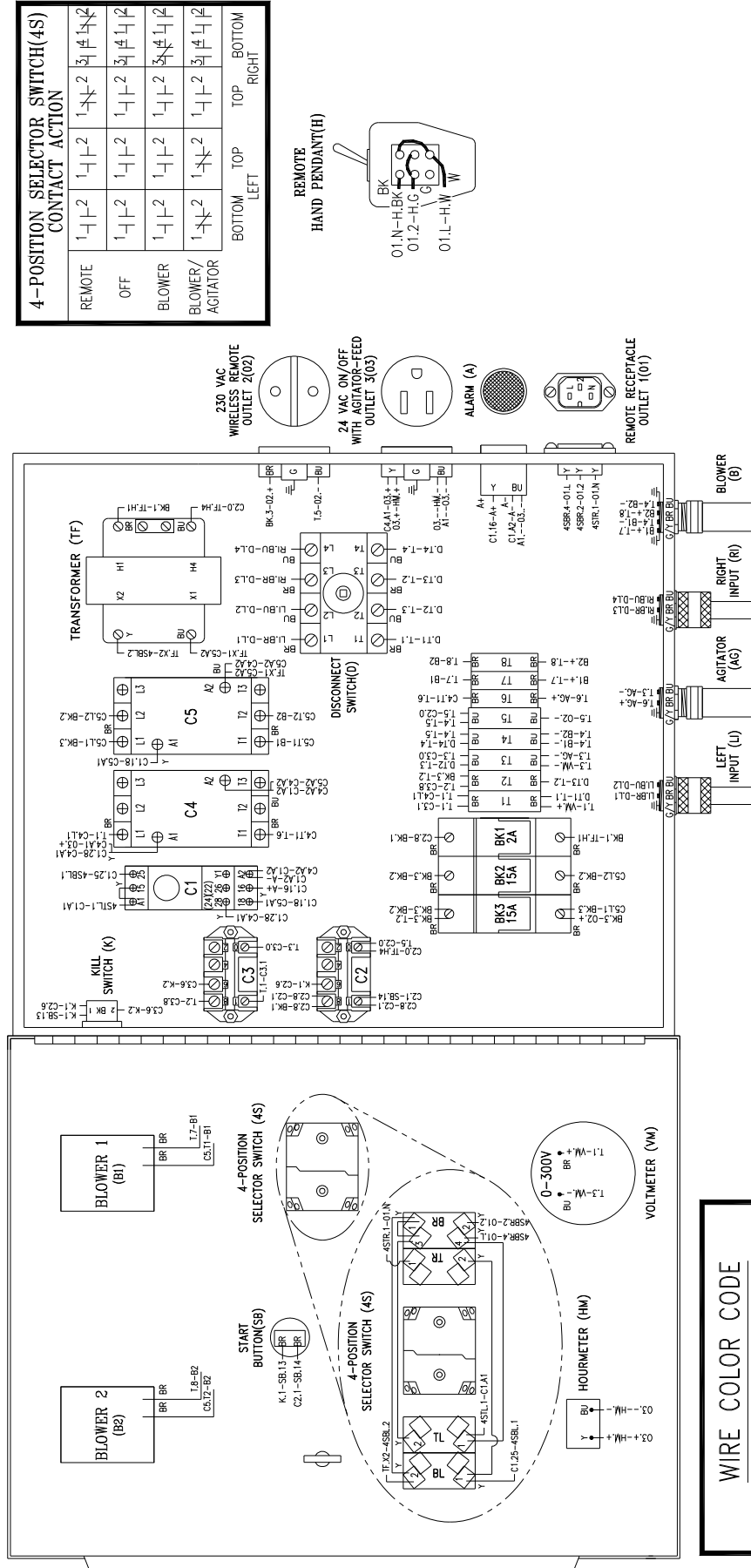
G/Y	=	GREEN/YELLOW	-	Earth Ground
BU	=	BLUE	-	Common (230 volt)
BR	=	BROWN	-	Hot (230 volt)
R	=	RED	-	Hot (230 volt)
Y	=	YELLOW	-	Hot (24 volt)

(illustration W)

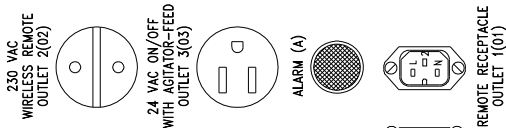
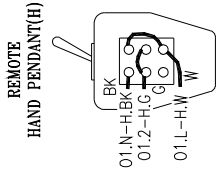
### ELECTRICAL DIAGRAM:

Periodically, disconnect machine from power source and check all electrical connections and components for broken or loose wires.

## MODEL #500 115 V.A.C. — 50 Hz (Double Input) 1Ø (2) 3-STAGE BLOWERS (ELU11-109077)



4-POSITION SELECTOR SWITCH(4S) CONTACT ACTION	
REMOTE	1-1-2 1-1-2 1-1-2 1-1-2
OFF	1-1-2 1-1-2 1-1-2 1-1-2
BLOWER	1-1-2 1-1-2 1-1-2 1-1-2
BLOWER/ AGITATOR	1-1-2 1-1-2 1-1-2 1-1-2
BOTTOM LEFT	TOP RIGHT



WIRE COLOR CODE	
G/Y	= GREEN/YELLOW — Earth Ground
BU	= BLUE — Common (230 volt)
BR	= BROWN — Hot (230 volt)
R	= RED — Hot (230 volt)
Y	= YELLOW — Hot (24 volt)

(illustration W-1)

## TROUBLESHOOTING

### WARRANTY



This unit is backed by a warranty for manufacturer's defects. If machine needs service during that time, call your supplier immediately. **Do not** attempt to service, as this voids warranty.

### IMPORTANT



At any signs of trouble with your machine, stop immediately, disconnect power and call your supplier. Refer to *General Maintenance* section of this manual for further details. Always disconnect electrical power before making inspection or repairs.

## Mechanical Troubleshooting

### Problem

### Corrective Action

1) Loud knocking sound.

A. Check machine agitators or airlock for foreign objects and remove. Refer to *General Maintenance* to flip up hopper for access to airlock.

B. Check and retension chains.

2) Poor output or uneven flow through the hose.

A. Gradually **increase** blower control setting and/or **close** slidegate until condition improves.

B. Check hose. Remove hose from airlock outlet and check for blocked material. Clean out by shaking hose. Connect hose to airlock, turn blowers on high (no agitator/feed) for a few moments and try to free blockage.

C. Check insulation hose and blower hoses on machine for damage. Check connections. Tighten hose clamps to eliminate air leakage.

D. Check for misaligned agitator tines.

E. Flip up hopper, inspect airlock seals and plates for damage or wear. Refer to page 15 and 16 of *General Maintenance* and follow instructions for replacing seals.

F. Check for proper shredder direction. (See page 15 of *Mechanical Settings*.)

3) Too much dust on open blow.

A. **Reduce** air into system by decreasing blower control setting and **opening** slidegate.

B. Use internal wetting system.

## Electrical Troubleshooting

### IMPORTANT



Whenever power is interrupted to unit (i.e., unplugged, main disconnect switch off, kill switch depressed), power must be restored by correcting power interruption condition and pressing *green* start button.

#### Problem

#### Corrective Action

- 1) Voltmeter showing no voltage **or** low voltage.
  - A. Turn Main Disconnect Switch to ON position.
  - B. Check input cord(s) for proper connection to power source.
  - C. Check power source for proper voltage.
  - D. Open Main Control Box lid and check voltage with multimeter at voltmeter terminals. Replace defective voltmeter.
  - E. On single input, 240volt/60hz. units, check for proper wiring of four prong plug and connector body.
  
- 2) Dropout relay **does not** engage.
  - A. Check voltmeter. If no voltage, refer to #1 above.
  - B. Check power on **both** input cords. (double input machines)
  - C. Check indicator tab on the top of the dropout relay. If tab is out, relay is not engaged. If tab is in, relay is engaged. On double input machines, check the dropout relay on the top (C3). (If tab is "in", refer to #3.)
  
- 3) Dropout relay **is** engaged (tab is "in"), but machine will not run.
  - A. Check transformer breaker (breaker#1) (Green, breaker is tripped. Red breaker is OK.)
  - B. Check secondary output of transformer (24volt). Replace if necessary
  
- 4) Machine does not function with hand pendant while 4-Position Selector Switch is in REMOTE mode.
  - A. Check for proper start-up conditions as mentioned at beginning of this section. (See #2)
  - B. Be sure remote control cord is properly plugged into Main Control Box.
  - C. Check remote control cord and hand pendant switch for damage or loose connections.
  - D. If neither Remote mode or Manual mode will function, check transformer breaker (breaker#1) (Green, breaker is tripped. Red breaker is OK.)
  
- 5) Blower motor does not run, but agitator motor does run.
  - A. Check operation in remote mode and manual mode with 4-Position Selector Switch and remote hand pendant.
  - B. Check blower control for ON position.
  - C. Check for defective, broken, or loose wiring connections inside Main Control Panel.
  - D. Check blower motor. Disconnect power supply and visually inspect system for defective, broken or loose wiring connections inside blower box.
  - E. Check blower breaker(s) in Main Control Panel. (Green, breaker is tripped. Red breaker is OK.)
  - F. Check Blower Controls. Disconnect Blower Control wires on Main Control Panel door and reconnect the two power leads bypassing the Blower Control. (Blower will run full speed only.)
  - G. Visually inspect and/or replace blower relay (C5) inside Main Control Panel.

**Electrical Troubleshooting (cont.)**

- 6) Blower motor does not run in manual mode. (4-Position Selector Switch.)
- A. Check wiring connections on Selector Switch contacts. (Located on back of Main Control Panel door.)
- 7) Blower motor running hot.
- A. Clean or replace Filter on Blower Door. Check inside Blower Box for debris/insulation. Blow out blower motor and surrounding area with compressed air.
- B. Check material hose for blockage. A restriction in the material output hose will cause the blowers to run hotter than normal.
- C. Check blower motor for proper operation. (i.e. bearings, armature, or worn brushes)
- 8) Excessive arcing of brushes on blower motor.
- A. Blow out brush assembly area with compressed air to remove accumulation of dirt and debris.
- B. Check blower motor for proper operation. (i.e. bearings, armature, etc.)
- C. Replace brush assembly. (See page 18 and 19 of *General Maintenance*.)
- 9) Agitator motor does not run, but blower motor does run.
- A. Manual Reset on agitator is tripped. Disconnect power supply to machine. Wait until agitator motor cools, (approximately 15 minutes), and press button on motor to reset.
- B. Check for defective, broken, or loose wiring connections inside Main Control Panel.
- C. Visually inspect and/or replace agitator relay (C4), inside Main Control Panel.
- 10) Agitator motor running improperly or hot.
- A. Disconnect power. Check agitators and airlock for debris.
- B. Low voltage. Try another electrical source. Use proper wire size for power input cords.
- C. Check bearings, sprocket and chain for binding, failure, or drive system misalignment.
- D. Remove outside vertical drive chain from upper agitators. Run motor/reducer and airlock assembly under power. Check amperage.
- E. Make sure the voltage, cycle (hertz), phase (1 or 3), and direction of rotation is correct.
- F. Replace agitator motor and/or speed reducer.
- 11) Agitator or airlock feeder not turning.
- A. Check sprockets for missing key. Replace with 1/4" key.
- B. Chain broken or off sprocket. Repair or replace.
- C. Check gearbox for sheared key between motor and reducer or leaking oil.
- 12) Pre-alarm sounds too long or continues without activating machine.
- A. Pre-alarm relay C1 (timer relay with knob adjustment), should be turned counterclockwise/left. This will reduce time duration of alarm.
- B. Replace relay module.

**PARTS LIST**

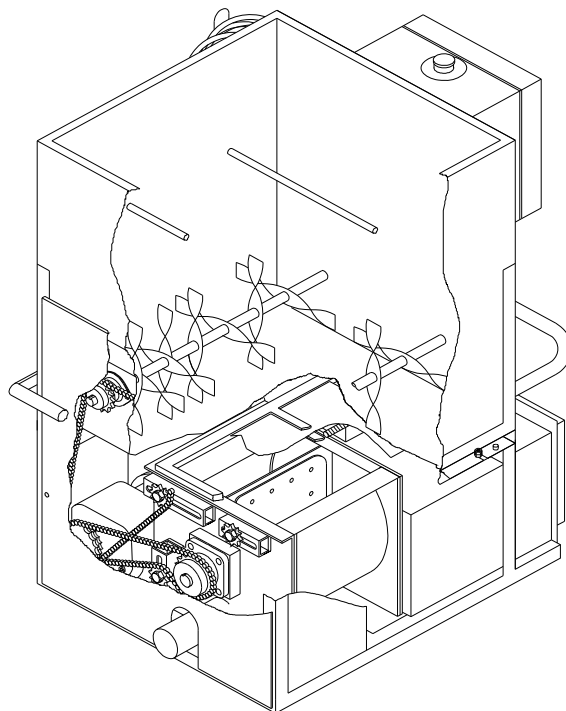
The manufacturer recommends that all repairs be made at its own factory service center. Machine repair done by the manufacturer is warranted for 90 days on repair parts and workmanship.

If you choose to have repairs made elsewhere, we offer replacement parts that have been carefully inspected to insure they meet the specifications of the original part. Any disassembly and reassembly of the unit to replace the defective part must be done with care to insure proper fit and alignment. No warranty consideration will be extended on parts that appear to be mishandled. All units should be run for a few minutes without material to insure proper alignment. All questions regarding replacement of parts should be directed back to the factory.

**IMPORTANT:** Certain information is needed concerning your specific machine when ordering replacement parts:

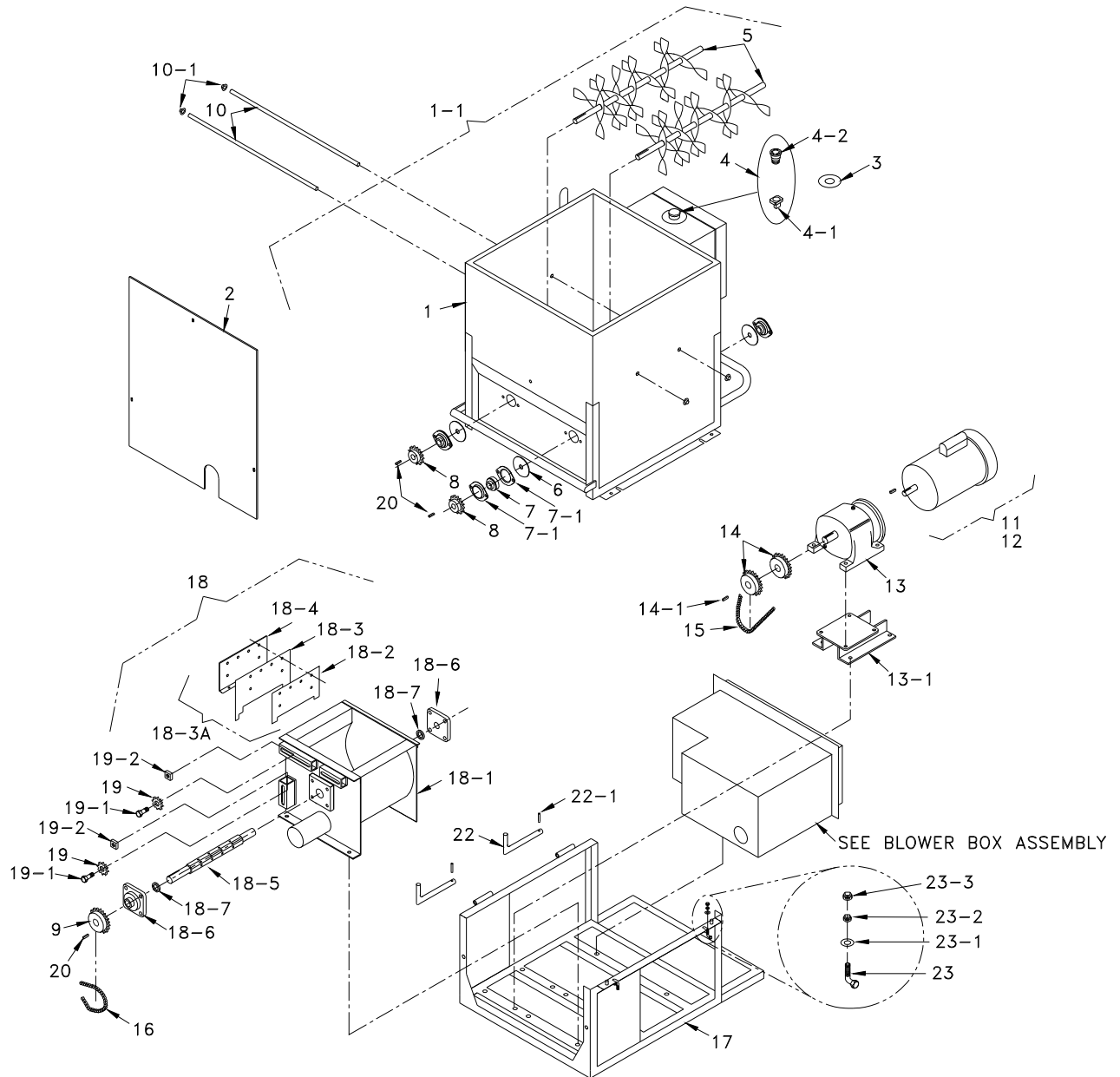
- Machine Model number (i.e. Model #500) • Serial Number
- Date Purchased
- Voltage of unit (main input): 120V, 240V or 230V (overseas) - single or double input
- Main input power - single phase (1Ø)
- Cycle: 50 or 60 hz. (U.S. and North American models are 60 hz.)  
(**Most** overseas units are 50 hz. Check invoice for correct cycle.)
- Blowers: single or double • Size: large 3-stage 12.5 amp (6 amp overseas)  
or small 2-stage 8 amp (4 amp overseas)
- With or Without Shredder

If this information is not known, contact supplier with serial number of machine. This information is needed on mechanical parts as well as electrical components. (Due to mechanical adjustments that compensate for electrical requirements, the above information is needed.)





# NON SHREDDER UPPER HOPPER and LOWER BASE UNIT ASSEMBLY



## NON SHREDDER UPPER HOPPER and LOWER BASE UNIT ASSEMBLY PARTS LIST

<b>Item #</b>	<b>Part #</b>	<b>Description</b>
1	501-R1	Hopper
1-1	501-ASSY	Hopper Assembly (includes: hopper, agitators, and bearing assemblies)
2	502-R2	Guard, Screen
3	KMC-203	Decal, Emergency Stop
4	508	Switch, Kill, Assembly (includes: Kill Switch and Contact-Decal not included)
4-1	8075-1	Contactor, Kill Switch
4-2	508-2	Pushbutton, Kill Switch
5	505-1	Agitator, 1" (2)
6	564	Seal, Felt, 1" X 3 1/4" (4)
7	563	Bearing Insert only, 1" (4)
7-1	565	Housing, Flange, 2-Bolt, 1" (8)
8	588	#40 Sprocket, 24T x 1" (2) (agitator)
9	109015	#40 Sprocket, 30T x 1" (airlock) (U.S.)
9	588	#40 Sprocket, 24T x 1" (airlock) (Overseas)
10	110	Hopper Bar (2)
10-1	FN009	1/2" Pushnut (4)
11	ELU07-583-A	Motor, Agitator, Assembly, 1 H.P., T.E.F.C. (120V, 60 Hz.)
11	ELU07-583-B	Motor, Agitator, Assembly, 1 H.P., T.E.F.C. (240V, 60 Hz.)
12	ELU07-585-A	Motor, Agitator, Assembly, 1 H.P., T.E.F.C. (230V, 50Hz.)
13	513-R3	Reducer, Speed, In-Line 28:1 1" Dia. Shaft
13-1	513-MB	Bracket, Motor Mount #513-R3 Speed Reducer
14	109015	Sprocket, 30T x 1" (2) (60 Hz.) (50 Hz.) (speed reducer)
14-1	562	Key, 1/4" x 1 1/4"
15	584	Chain, #40 x 59"
16	109014	Chain, #40 x 37" (U.S.)
16	109017-3	Chain, #40 x 36" (Overseas)
17	516-R1	Base Frame
18	517-R2	Airlock Assembly (does not include sprocket, key, idler sprocket)
18-1	517-1-R3	Chamber, Airlock, 12" x 10" (2" input - 3" output)
18-2	517-2	Plate, Top, Airlock, 10" (6)
18-3	517-3	Seal, Airlock, 10" (6) 1/4" Rhinohyde
18-3A	517-3-ASSY	Seal Assy, Airlock, 10" (6) (includes: Top Plate, Seal, and Bottom Plate)
18-4	517-4	Plate, Base, Airlock, 10" (6)
18-5	517-5-R4	Shaft, Airlock, 15 13/16"
18-6	517-6	Bearing, 4-Bolt Casted, 1" Bore (2)
18-7	517-7	Seal, Felt, Airlock, 1" Bore (2)
19	432	Sprocket, Idler, #40 17T x 5/8"
19-1	FSB120	SB, 5/8" x 3/4" Shoulder Bolt (2)
19-2	40052	Nut, Square, 1/2-13 x 1"

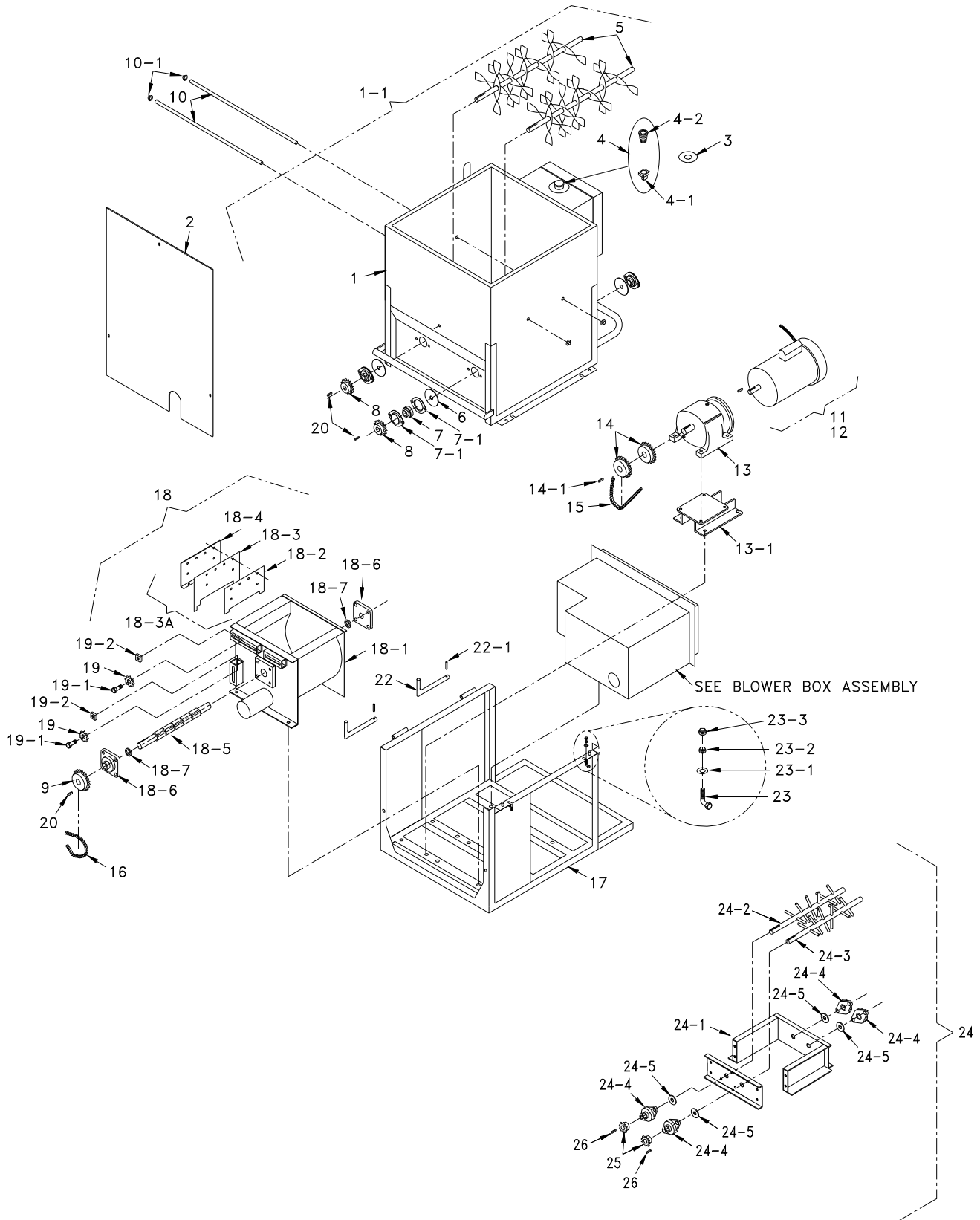
---

---

**NON SHREDDER  
UPPER HOPPER and LOWER BASE UNIT ASSEMBLY  
PARTS LIST**

<b>Item #</b>	<b>Part #</b>	<b>Description</b>
20	561	Key, 1/4" x 1 1/4"
22	541	Pin, Hinge (2)
22-1	FSB080	Roll Pin, 5/32" x 5/8" (2)
23	2530-1	Latch, Bent, 5/16-18 x 2" Hex (2)
23-1	FW007	Washer, 5/16" - 18 Hex (2)
23-2	FN011	Nut, 5/16" - 18 Hex (2)
23-3	FN014	Nut, 5/16" - 18 Lock (2)
--	189	#40 Half Link, 1 per Chain (not shown)
--	199	#40 Connector/Master Link, 1 per Chain (not shown)
--	DCL500-1	Decal Set for 120 Volt machine (not shown)
--	DCL500-2	Decal Set for 240 and 230 Volt machines (not shown)

**SHREDDER  
UPPER HOPPER and LOWER BASE UNIT ASSEMBLY**



## SHREDDER UPPER HOPPER and LOWER BASE UNIT ASSEMBLY PARTS LIST

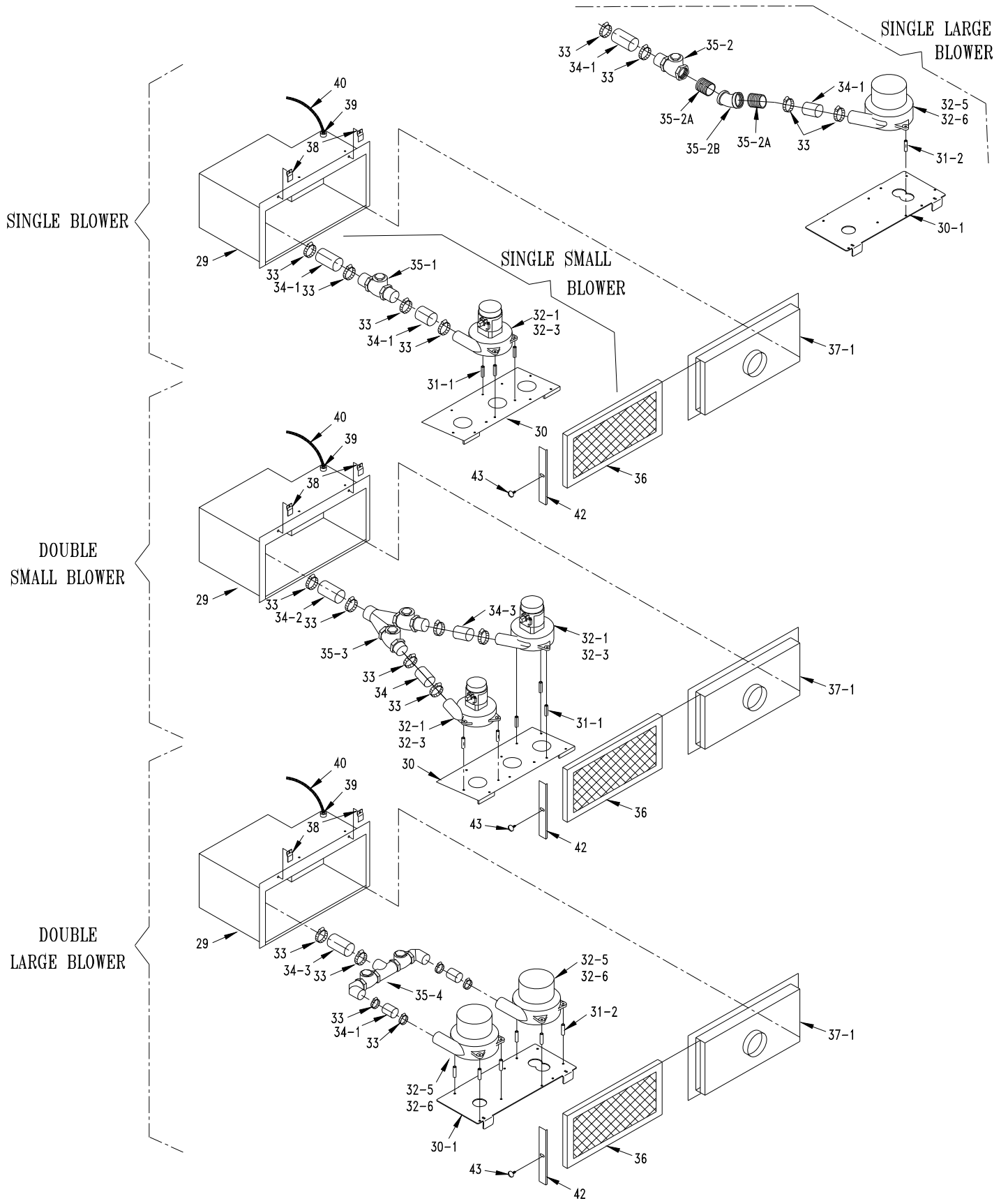
Item #	Part #	Description
1	501-R1	Hopper
1-1	501-ASSY	Hopper Assembly (includes: hopper, agitators, and bearing assemblies)
2	509-P	Guard, Screen
3	KMC-203	Decal, Emergency Stop
4	508	Switch, Kill, Assembly (includes: Kill Switch and Contact-Decal not included)
4-1	8075-1	Contact, Kill Switch
4-2	508-2	Pushbutton, Kill Switch
5	505-1	Agitator, 1" (2)
6	564	Seal, Felt, 1" X 3 1/4" (4)
7	563	Bearing Insert only, 1" (4)
7-1	565	Housing, Flange, 2-Bolt, 1" (8)
8	588	#40 Sprocket, 24T x 1" (2) (agitator)
9	109015	#40 Sprocket, 30T x 1" (airlock) (U.S.)
9	588	#40 Sprocket, 24T x 1" (airlock) (Overseas)
10	110	Hopper Bar (2)
10-1	FN009	1/2" Pushnut (4)
11	ELU07-583-A	Motor, Agitator, Assembly, 1 H.P., T.E.F.C. (120V, 60 Hz.)
11	ELU07-583-B	Motor, Agitator, Assembly, 1 H.P., T.E.F.C. (240V, 60 Hz.)
12	ELU07-585-A	Motor, Agitator, Assembly, 1 H.P., T.E.F.C. (230V, 50Hz.)
13	513-R3	Reducer, Speed, In-Line 28:1 1" Dia. Shaft
13-1	513-MB	Bracket, Motor Mount #513-R3 Speed Reducer
14	109015	Sprocket, 30T x 1" (2) (60 Hz.) (50 Hz.) (speed reducer)
14-1	562	Key, 1/4" x 1 1/4"
15	589	Chain, #40 x 72"
16	109014	Chain, #40 x 37" (U.S.)
16	109017-3	Chain, #40 x 36" (Overseas)
17	518-R1	Base Frame, Shredder
18	517-R2	Airlock Assembly (does not include sprocket, key, idler sprocket)
18-1	517-1-R3	Chamber, Airlock, 12" x 10" (2" input - 3" output)
18-2	517-2	Plate, Top, Airlock, 10" (6)
18-3	517-3	Seal, Airlock, 10" (6) 1/4" Rhinohyde
18-3A	517-3-ASSY	Seal Assy, Airlock, 10" (6) (includes: Top Plate, Seal, and Bottom Plate)
18-4	517-4	Plate, Base, Airlock, 10" (6)
18-5	517-5-R4	Shaft, Airlock, 15 13/16"
18-6	517-6	Bearing, 4-Bolt Casted, 1" Bore (2)
18-7	517-7	Seal, Felt, Airlock, 1" Bore (2)
19	432	Sprocket, Idler, #40 17T x 5/8"
19-1	FSB120	SB, 5/8" x 3/4" Shoulder Bolt (2)
19-2	40052	Nut, Square, 1/2-13 x 1"

## SHREDDER UPPER HOPPER and LOWER BASE UNIT ASSEMBLY PARTS LIST

<b>Item #</b>	<b>Part #</b>	<b>Description</b>
20	561	Key, 1/4" x 1 1/4"
22	541	Pin, Hinge (2)
22-1	FSB080	Roll Pin, 5/32" x 5/8" (2)
23	2530-1	Latch, Bent, 5/16-18 x 2" Hex (2)
23-1	FW007	Washer, 5/16" - 18 Hex (2)
23-2	FN011	Nut, 5/16" - 18 Hex (2)
23-3	FN014	Nut, 5/16" - 18 Lock (2)
24	560-5-Assy-R2	Shredder Box Assembly
24-1	560-5-A-R2	Shredder Box w/Removable End
24-2	560-6-B-R2	Agitator, Shredder Box, 6-tine, 14" (short)
24-3	560-1-B-R2	Agitator, Shredder Box, 6-tine, 14" (long)
24-4	426-6	Bearing, 3/4" 2-bolt Casted (4)
24-5	426-7	Seal, Felt, (4)
25	418	Sprocket, 10T x 3/4" (shredder box) (2) (not included w/shredder box assembly)
26	448	Key, 3/16" x 7/8" (2) (not included w/shredder box assembly)
--	189	#40 Half Link, 1 per Chain (not shown)
--	199	#40 Connector/Master Link, 1 per Chain (not shown)
--	DCL500-1	Decal Set for 120 Volt machine (not shown)
--	DCL500-2	Decal Set for 240 and 230 Volt machines (not shown)



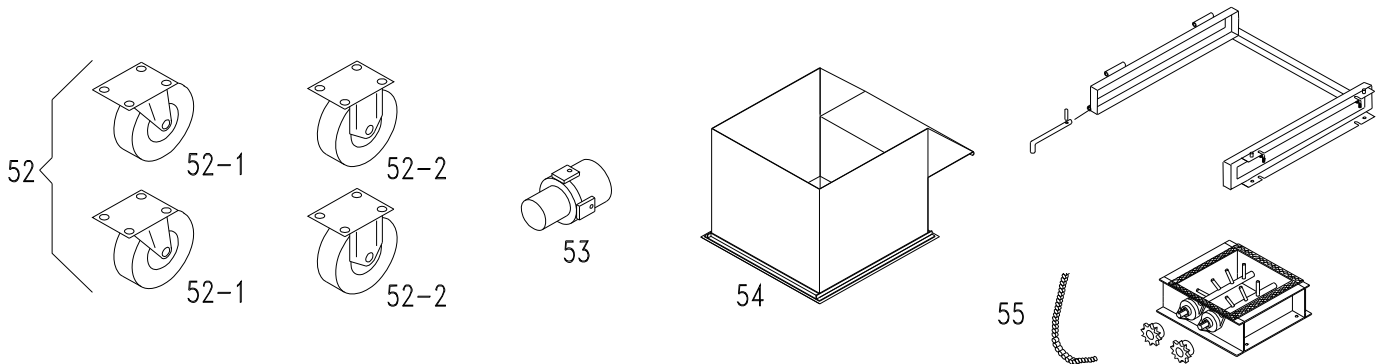
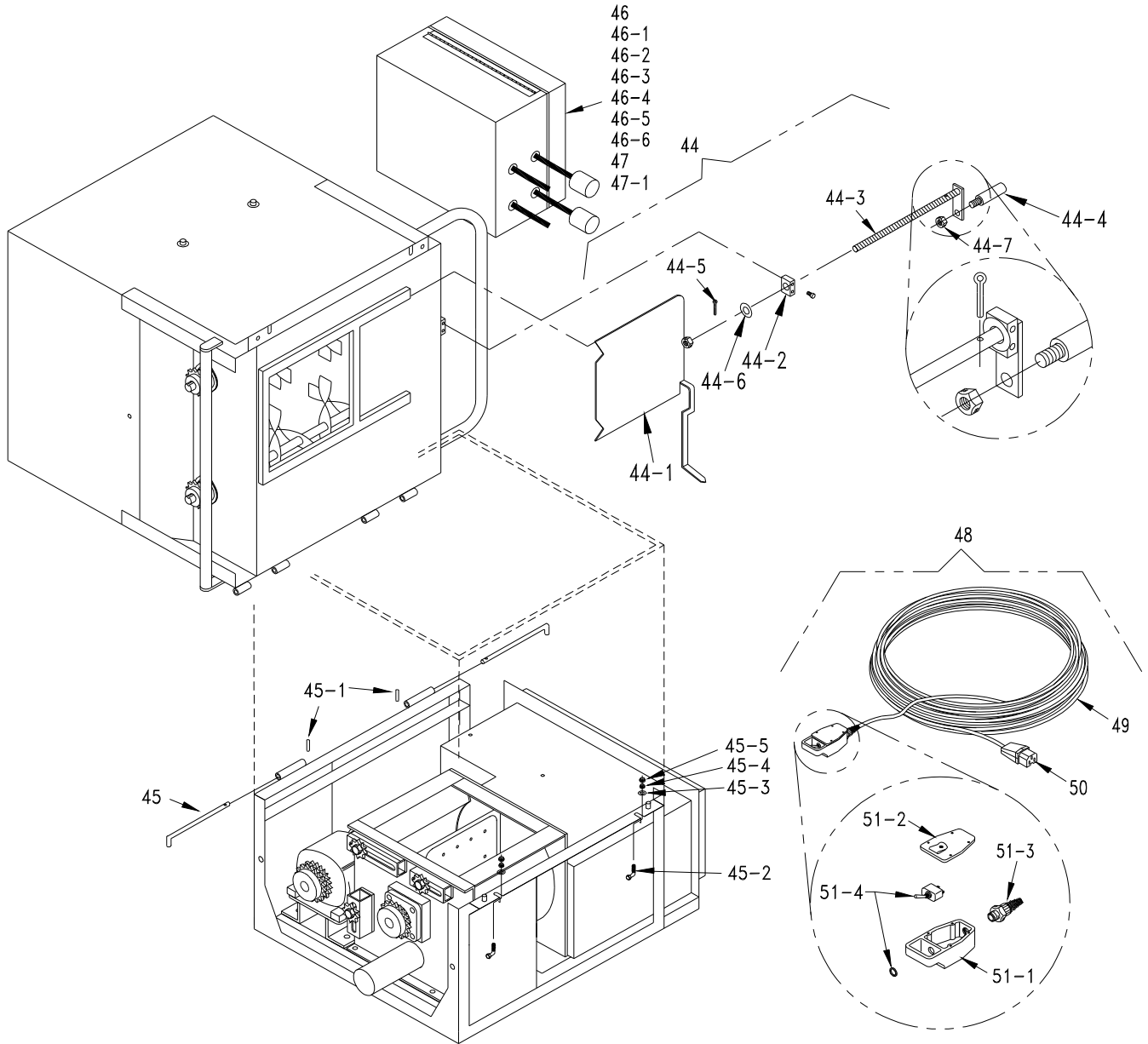
**BLOWER BOX ASSEMBLY**



## BLOWER BOX ASSEMBLY PARTS LIST

<b>Item #</b>	<b>Part #</b>	<b>Description</b>
29	524	Box, Blower
30	567-R1	Bracket, Blower (small blower)
30-1	574-R1	Bracket, Blower (large blower)
31-1	409-C	Spacer, Blower (2") (small blower)
31-2	409-D	Spacer, Blower (2 1/2") (large blower)
32-1	408-A	Blower Motor, 8 A (120V, 50/60 Hz.)
32-3	408-C	Blower Motor, 4 A (230V, 50/60 Hz.)
32-5	408-E	Blower Motor, 12.5 A (120V, 50/60 Hz.) 3-stage
32-6	408-F	Blower Motor, 6 A (230V, 50 Hz.) 3-stage
33	337	Clamp, Hose, 2"
34	575	Hose, Hard Rubber, 2" x 2 1/4"
34-1	4534	Hose, Hard Rubber, 2" x 3"
34-2	576	Hose, Hard Rubber, 2" x 4"
34-3	577	Hose, Hard Rubber, 2" x 4 3/4"
35-1	405-2	Check Valve Assy. / with 2 tubes (single small blower)
35-2	405-3	Check Valve Assy. / with tube outlet side (single large blower)
35-2A	57801	Nipple, 1 1/2" x 2" (2)
35-2B	109606	Elbow, 1 1/2" x 45°
35-3	572	Check Valve Assy. (double small blowers)
35-4	573	Check Valve Assy. (double large blowers)
36	109602	Filter
37-1	109601-R1	Blower Door, 4" Input
38	536-1	Clip, Short Filter (2)
39	543-M-18	Connector, Conduit, 1/2" Straight
40	543-M-75	Conduit, 1/2" Flexible, 42" Long
42	109601-1	Cover, Blower Shroud
43	FSB208	Thumbscrew, 5/16" x 1"

**MECHANICAL and ELECTRICAL CONTROL ASSEMBLY/OPTIONS**



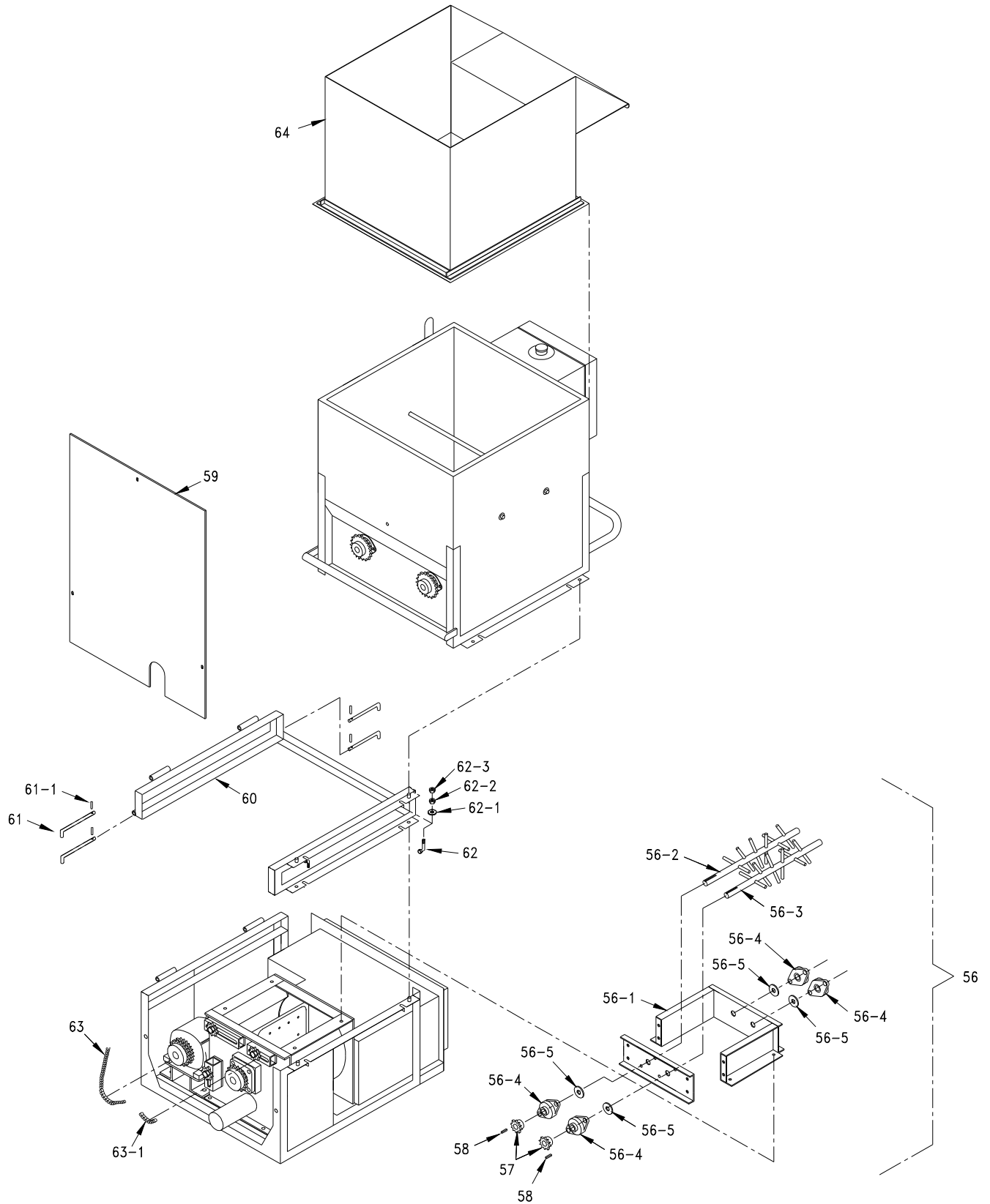
## **MECHANICAL and ELECTRICAL CONTROL ASSEMBLY/OPTIONS PARTS LIST**

<b>item #</b>	<b>Part #</b>	<b>Description</b>
44	540	Slidegate Assembly
44-1	540-1	Slidegate, 10"
44-2	540-2	Crankrod Bracket
44-3	540-3-R1	Crankrod w/Handle Bracket
44-4	1300-9	Handle, Crankrod
44-5	FSB078	Pin Cotter, 1/8" x 1"
44-6	FW012	Washer, 1/2" Flat
44-7	FN015	Nut, 3/8" - 16 Lock
45	541	Pin, Hinge, 7/16" x 6" (2)
45-1	FSB080	Roll Pin, 5/32" x 5/8" (2)
45-2	2530-1	Latch, Bent, 5/16-18 x 2" Hex (2)
45-3	FW007	Washer, 5/16" Flat (2)
454	FN011	Nut, 5/16" - 18 Hex (2)
45-5	FN014	Nut, 5/16" - 18 Lock (2)
46	ELU11-109064	Electrical Upgrade (120V, 60 Hz.) (20 A & 15 A input, double 8 A blowers)
46-1	ELU11-109066	Electrical Upgrade (120V, 60 Hz.) (15 A & 15 A input, single 12.5 A blower)
46-2	ELU11-109067	Electrical Upgrade (120V, 60 Hz.) (30 A & 15 A input, double 12.5 A blowers)
46-3	ELU11-109063	Electrical Upgrade (240V, 60 Hz.) (single input, double 8 A blowers)
46-4	ELU10-109065	Electrical Upgrade (240V, 60 Hz.) (single input, single 12.5 A blower)
46-5	ELU10-109070	Electrical Upgrade (240V, 60 Hz.) (single input, double 12.5 A blowers)
47	ELU10-109072	Electrical Upgrade (230V, 50 Hz.) (double input, double 4 A blowers)
47-1	ELU11-109077	Electrical Upgrade (115V, 50 Hz.) (double input, double 12.5 A blowers)
47-2	ELU07-546-M	Electrical Upgrade (230V, 50 Hz.) (Special Order Only) (Not Shown)
47-3	543-M	RCU, 500 (50HZ - Special Order Only) (Not Shown)
48	RC395-D	R.C. Cord Assembly, 150Ft. DPDT Style D
49	18-3 SJ	Wire, #18-3(SJ) x 150 Ft.
50	543-M-8	Plug, Style D (R.C. Cord)
51-1	RC395-1	Switch Housing, Remote Control
51-2	RC395-2	Switch Back Plate, Remote Control
51-3	RC395-3	Strain Relief, Remote Control
51-4	109066-9	Switch, Toggle (DPDT)
51-5	KMC-087	Decal, Feed Blower (Not Shown)

### **OPTIONS**

52	W-5-STD	Wheel Package, Standard, 5"
52-1	551-1	Wheel, Standard, Swivel, 5" (2)
52-2	551-2	Wheel, Standard, Rigid, 5" (2)
52	W-5-HD	Wheel, Package, Heavy Duty, 5"
52-1	109073-1	Wheel, 5", H.D., Swivel (2)
52-2	109073-2	Wheel, 5", H.D., Rigid (2)
53	549	Reducer, Bushing, 2"
54	US-501	Hopper Extension Assembly (See next page for parts list)
55	560-R3	Shredder Assembly (See next page for parts list)

**OPTIONAL SHREDDER ASSEMBLY & HOPPER EXTENSION**



**OPTIONAL SHREDDER ASSEMBLY & HOPPER EXTENSION  
PARTS LIST****Optional Shredder Assembly (560-R4)**

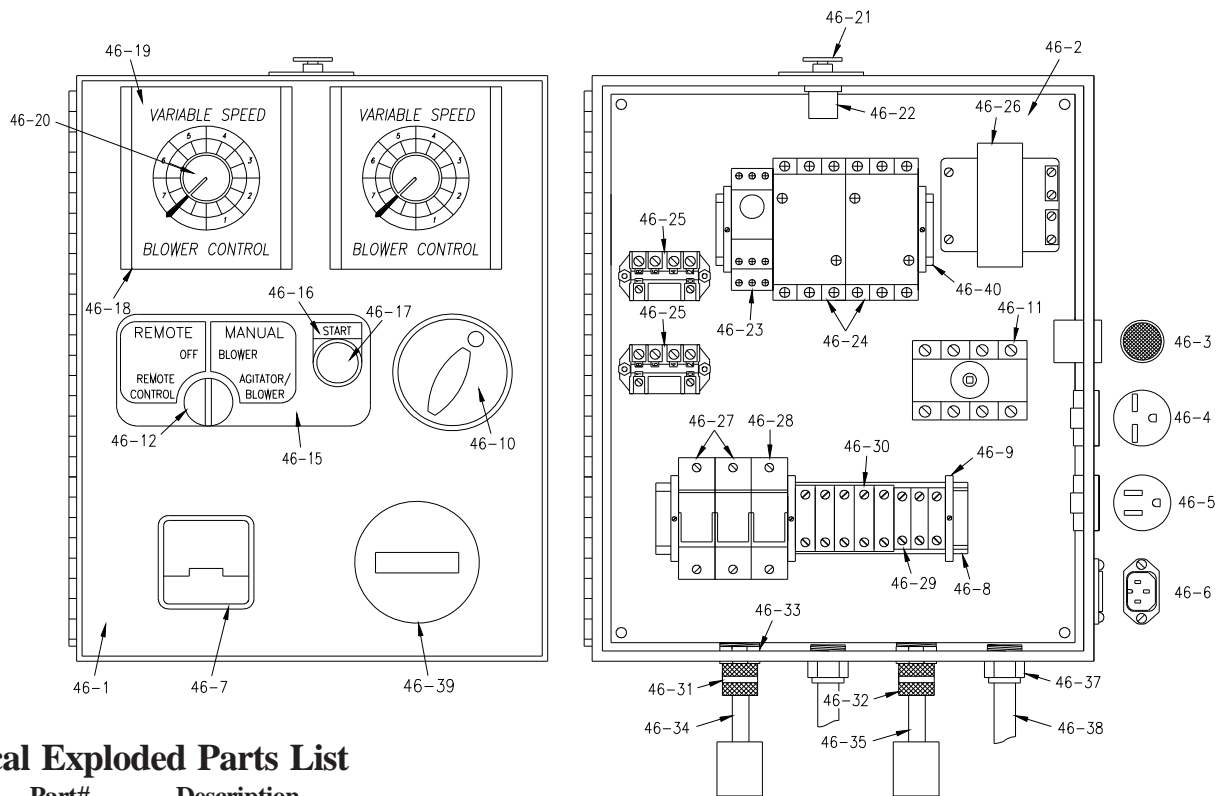
<b>Item #</b>	<b>Part #</b>	<b>Description</b>
56	560-5-Assy-R2	Shredder Box Assembly
56-1	560-5-A-R2	Shredder Box w/Removable End
56-2	560-6-B-R2	Agitator, Shredder Box, 6-tine, 14" (short)
56-3	560-1-B-R2	Agitator, Shredder Box, 6-tine, 14" (long)
56-4	426-6	Bearing, 3/4" 2-bolt Casted (4)
56-5	426-7	Seal, Felt, (4)
57	418	Sprocket, 10T x 3/4" (shredder box) (2) (not included w/shredder box assembly)
58	448	Key, 3/16" x 7/8" (2) (not included w/shredder box assembly)
59	509-P	Guard, Screen
60	560-3	Frame, Shredder
61	541	Pin, Hinge (2)
61-1	FSB080	Roll Pin, 5/32" x 5/8" (2)
62	2530-1	Latch, Bent, 5/16-18 x 2" Hex (2)
62-1	FW007	Washer, 5/16" - 18 Hex (2)
62-2	FN011	Nut, 5/16" - 18 Hex (2)
62-3	FN014	Nut, 5/16" - 18 Lock (2)
63	589	Chain, #40 x 72" Nickel Plated
63-1	545	Chain, #40 x 13" Nickel Plated (chain extension f/unidirectional rotation)
--	189	Link, Chain 1/2
--	199	Link, Connector / Master

**Optional Hopper Extension Assembly (US-501)**

<b>Item #</b>	<b>Part #</b>	<b>Description</b>
64	CE-501-1	Hopper Extension



# 120 V.A.C. 60 Hz. ELECTRICAL UPGRADE PARTS LIST (2) 2-STAGE BLOWERS (ELU11-109064)

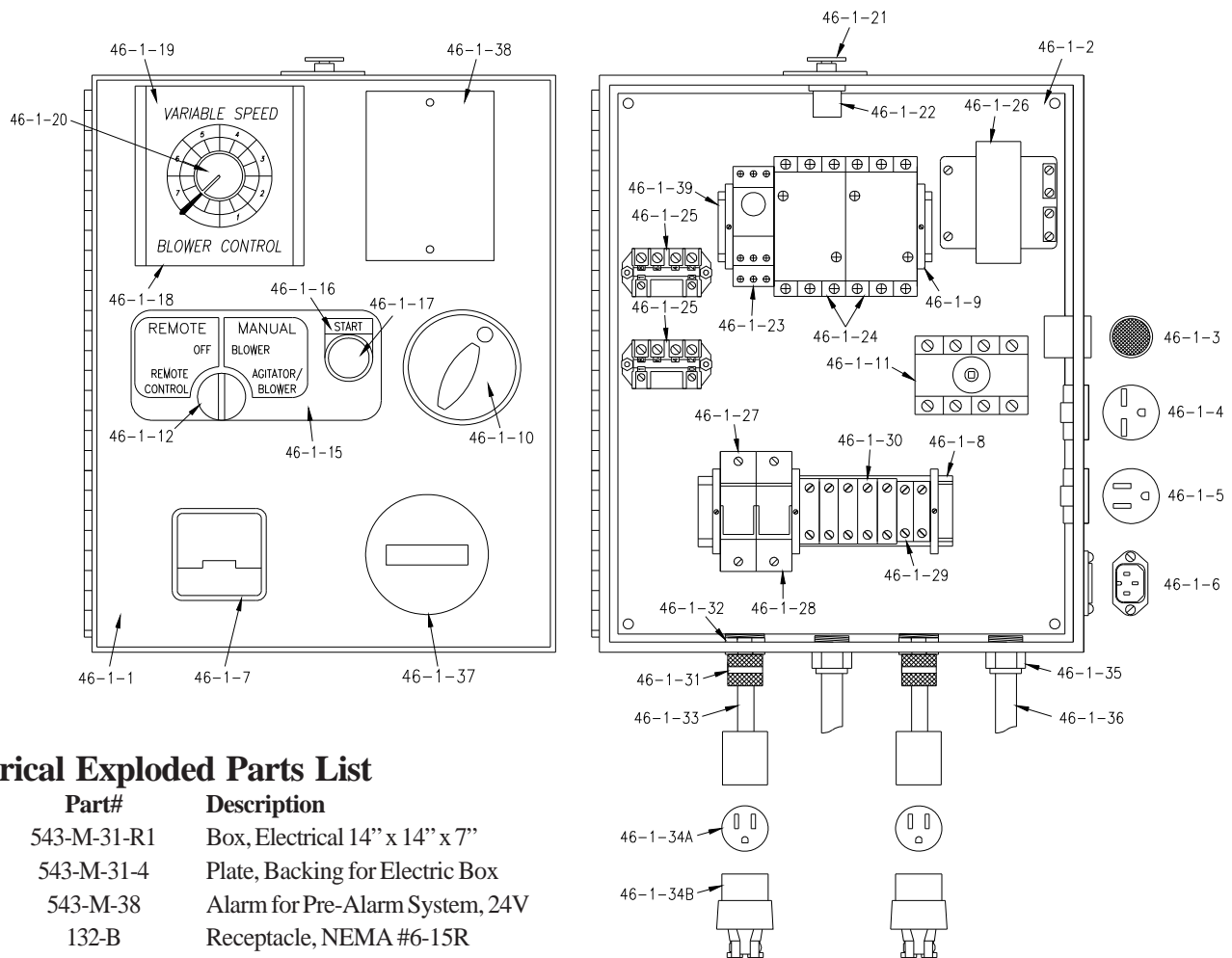


## Electrical Exploded Parts List

Item#	Part#	Description
46-1	543-M-31-R1	Box, Electrical 14" x 14" x 7"
46-2	543-M-31-4	Plate, Backing for Electric Box
46-3	543-M-38	Alarm for Pre-Alarm System, 24V
46-4	132-B	Receptacle, NEMA #6-15R
46-5	1544	Receptacle, NEMA# 5-15R
46-6	543-M-2	Receptacle, RC Plug #509-1050 (remote)
46-7	1531-B	Voltmeter, 0-300V
46-8	ELU07-C	Dinrail, 1 3/8", 8 1/2"L
46-9	151080-49	Clamp, f/ 1 3/8" Din Rail (4)
46-10	543-M-33-D*	Operator Handle Assembly
46-11	543-M-33-D	Switch, Disconnect 40A #XA324BY
46-12	543-M-22	Switch, 4-position Selector
46-13	543-M-15	Contact Block , Selector Switch (white) #KA-1 (not shown)
46-14	543-M-16	Contact Block , Selector Switch (red) #KA-3 (3) (not shown)
46-15	KMC-068	Decal, (Remote/Manual - 4-Position)
46-16	543-M-60	Start Legend Plate
46-17	543-M-59	Switch, Pushbutton On
46-18	419-A	Blower Control (120V, 60Hz.) (2)
46-19	420-1	Cover, Blower Control (2)
46-20	420-2	Knob, Blower Control (2)
46-21	508-2	Switch, Kill
46-22	8075-1	Contactor, Kill Switch
46-23	ELU06-6	Timer, 24 VAC
46-24	ELU11-5	GE Contactor/Relay, 25 A (2)

Item#	Part#	Description
46-25	ELU10-10	Contactor/Relay, 120V Control (2)
46-26	1530-D	Transformer, 4A
46-27	BRKR-10	Breaker, 10AMP (2)
46-28	BRKR-2	Breaker, 2AMP
46-29	151080-61	Terminal Block, Small (3)
46-30	151080-62	Terminal Block Large (5)
46-31	543-M-17	Connector, Cord, Liq.Tite, 1/2" Blue
46-32	251080-60	Connector, Cord, Liq.Tite, 5/8" Straight
46-33	391N-A-3	Locknut, Steel, Conduit, 1/2" (2)
46-34	12-3 SJ	Wire, 12-3 SJOW
46-35	10-3 SJ	Wire, 10-3 SJOW
46-36A	127	Plug, NEMA #5-15P
46-36B	KS343	Receptacle, (5269C)
46-36C	109065-19	Plug, NEMA #L5-20P
46-36D	109065-20	Connector, NEMA #L5-20C
46-37	543-M-18	Connector, Conduit, 1/2" Straight (2)
46-38	543-M-75	Conduit, 1/2" Flexible
46-39	7-21	Hourmeter, 50/60Hz
46-40	ELU10-A	Dinrail, 1 3/8", 5 1/2" Long
46-41	543-M-31-2	Alarm Mount (Not Shown)

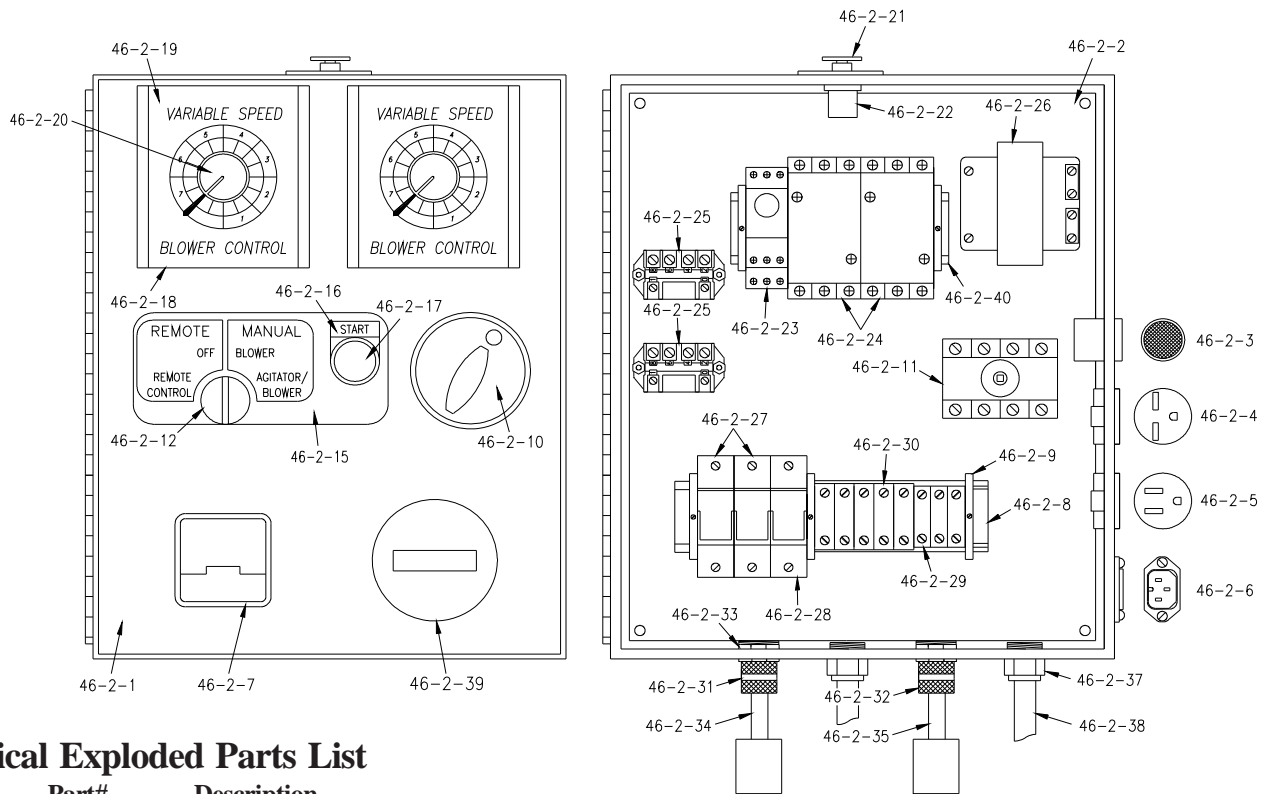
# 120 V.A.C. 60 Hz. ELECTRICAL UPGRADE PARTS LIST (1) 3-STAGE BLOWERS (ELU11-109066)



### Electrical Exploded Parts List

Item#	Part#	Description
46-1-1	543-M-31-R1	Box, Electrical 14" x 14" x 7"
46-1-2	543-M-31-4	Plate, Backing for Electric Box
46-1-3	543-M-38	Alarm for Pre-Alarm System, 24V
46-1-4	132-B	Receptacle, NEMA #6-15R
46-1-5	1544	Receptacle, NEMA# 5-15R
46-1-6	543-M-2	Receptacle, RC Plug #509-1050 (remote)
46-1-7	1531-B	Voltmeter, 0-300V
46-1-8	ELU07-C	Dinrail, 1 3/8", 8 1/2" Long
46-1-9	151080-49	Clamp, f/ 1 3/8" Din Rail (4)
46-1-10	543-M-33-D*	Operator Handle Assembly
46-1-11	543-M-33-D	Switch, Disconnect 40A #XA324BY
46-1-12	543-M-22	Switch, 4-position Selector
46-1-13	543-M-15	Contact Block , Selector Switch (white) #KA-1 (not shown)
46-1-14	543-M-16	Contact Block , Selector Switch (red) #KA-3 (3) (not shown)
46-1-15	KMC-068	Decal, (Remote/Manual - 4-Position)
46-1-16	543-M-60	Start Legend Plate
46-1-17	543-M-59	Switch, Pushbutton On
46-1-18	419-A	Blower Control (120V, 60Hz.)
46-1-19	420-1	Cover, Blower Control
46-1-20	420-2	Knob, Blower Control
46-1-21	508-2	Switch, Kill
46-1-22	8075-1	Contactor, Kill Switch
46-1-23	ELU06-6	Timer, 24 VAC
46-1-24	ELU11-5	GE Contactor/Relay, 25 A (2)
46-1-25	ELU10-10	Contactor/Relay, 120V Control (2)
46-1-26	1530-D	Transformer, 4A
46-1-27	BRKR-15	Breaker, 15AMP
46-1-28	BRKR-2	Breaker, 2AMP
46-1-29	151080-61	Terminal Block, Small (2)
46-1-30	151080-62	Terminal Block Large (5)
46-1-31	543-M-17	Connector, Cord, Liq. Tite, 1/2" Blue (2)
46-1-32	391N-A-3	Locknut, Steel, Conduit, 1/2" (2)
46-1-33	12-3 SJ	Wire, 12-3 SJOW
46-1-34A	127	Plug, NEMA #5-15P (2)
46-1-34B	KS343	Receptacle, (5269C) (2)
46-1-35	543-M-18	Connector, Conduit, 1/2" Straight (2)
46-1-36	543-M-75	Conduit, 1/2" Flexible
46-1-37	7-21	Hourmeter, 50/60Hz
46-1-38	532	Plate, Block-Off, Blower
46-1-39	ELU10-A	Dinrail, 1 3/8", 5 1/2" Long
46-1-40	543-M-31-2	Alarm Mount (Not Shown)

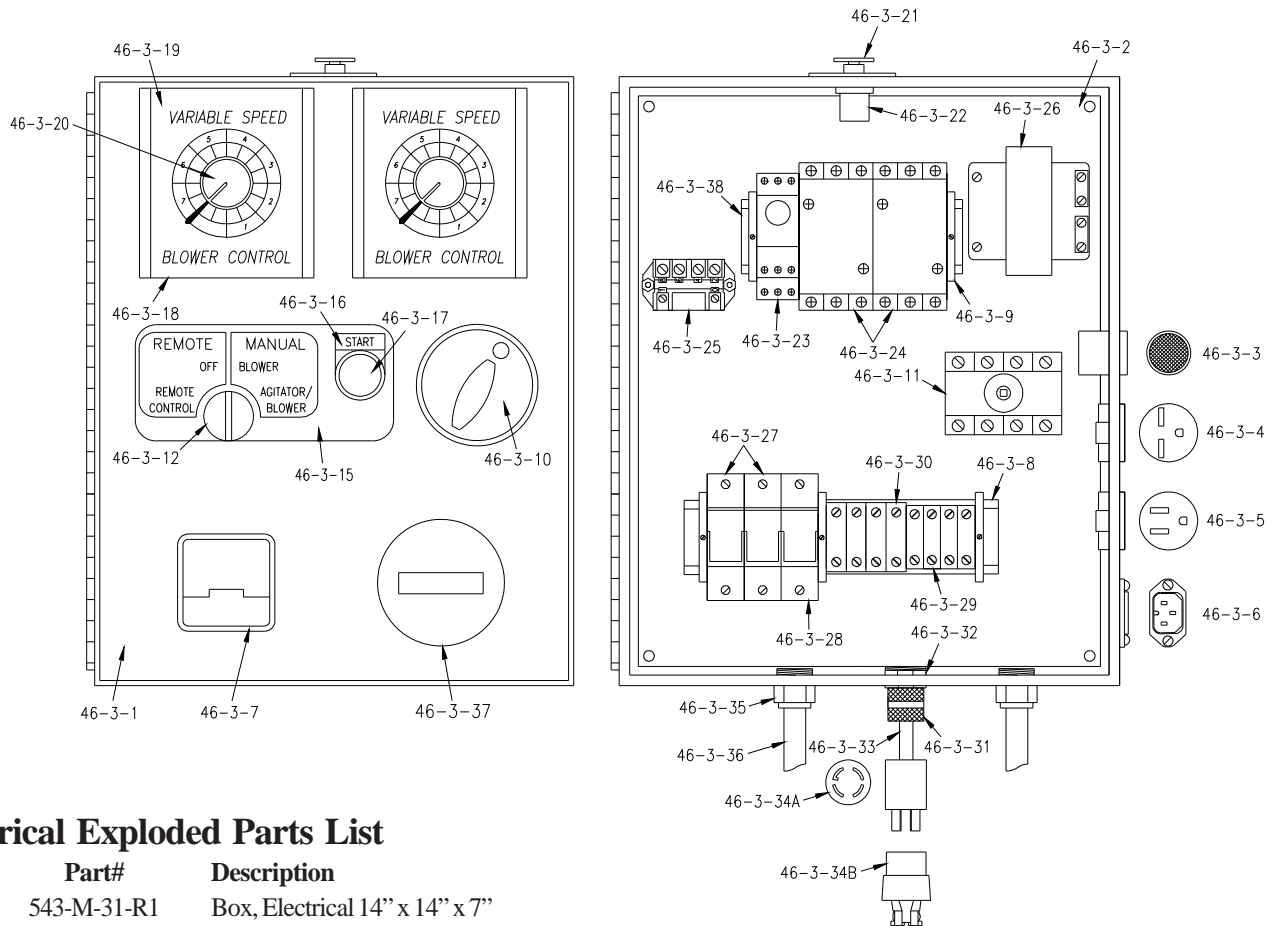
# 120 V.A.C. 60 Hz. ELECTRICAL UPGRADE PARTS LIST (2) 3-STAGE BLOWERS (ELU11-109067)



## Electrical Exploded Parts List

Item#	Part#	Description	Item#	Part#	Description
46-2-1	543-M-31-R1	Box, Electrical 14" x 14" x 7"	46-2-25	ELU10-10	Contactor/Relay, 120V Control (2)
46-2-2	543-M-31-4	Plate, Backing for Electric Box	46-2-26	1530-D	Transformer, 4A
46-2-3	543-M-38	Alarm for Pre-Alarm System, 24V	46-2-27	BRKR-15	Breaker, 15AMP (2)
46-2-4	132-B	Receptacle, NEMA #6-15R	46-2-28	BRKR-2	Breaker, 2AMP
46-2-5	1544	Receptacle, NEMA#5-15R	46-2-29	151080-61	Terminal Block, Small (3)
46-2-6	543-M-2	Receptacle, RC Plug #509-1050 (remote)	46-2-30	151080-62	Terminal Block Large (5)
46-2-7	1531-B	Voltmeter, 0-300V	46-2-31	543-M-17	Connector, Cord, Liq.Tite, 1/2" Blue
46-2-8	ELU07-C	Dinrail, 1 3/8", 8 1/2" Long	46-2-32	543-M-23	Connector, Cord, Liq.Tite, 1/2" Straight
46-2-9	151080-49	Clamp, f/ 1 3/8" Din Rail (4)	46-2-33	391N-A-3	Locknut, Steel, Conduit, 1/2" (2)
46-2-10	543-M-33-D*	Operator Handle Assembly	46-2-34	12-3 SJ	Wire, 12-3 SJOW
46-2-11	543-M-33-D	Switch, Disconnect 40A #XA324BY	46-2-35	10-3 SJ	Wire, 10-3 SJOW
46-2-12	543-M-22	Switch, 4-position Selector	46-2-36A	127	Plug, NEMA #5-15P
46-2-13	543-M-15	Contact Block , Selector Switch (white) #KA-1 (not shown)	46-2-36B	KS343	Receptacle, (5269C)
46-2-14	543-M-16	Contact Block , Selector Switch (red) #KA-3 (3) (not shown)	46-2-36C	125	Plug, NEMA #L5-30P
46-2-15	KMC-068	Decal, (Remote/Manual - 4-Position)	46-2-36D	124	Connector, NEMA #L5-30C
46-2-16	543-M-60	Start Legend Plate	46-2-37	543-M-18	Connector, Conduit, 1/2" Straight (2)
46-2-17	543-M-59	Switch, Pushbutton On	46-2-38	543-M-75	Conduit, 1/2" Flexible
46-2-18	419-A	Blower Control (120V, 60Hz.) (2)	46-2-39	7-21	Hourmeter, 50/60Hz
46-2-19	420-1	Cover, Blower Control (2)	46-2-40	ELU10-A	Dinrail, 1 3/8", 5 1/2" Long
46-2-20	420-2	Knob, Blower Control (2)	46-2-41	543-M-31-2	Alarm Mount (Not Shown)
46-2-21	508-2	Switch, Kill			
46-2-22	8075-1	Contactor, Kill Switch			
46-2-23	ELU06-6	Timer, 24 VAC			
46-2-24	ELU11-5	GE Contactor/Relay, 25 A (2)			

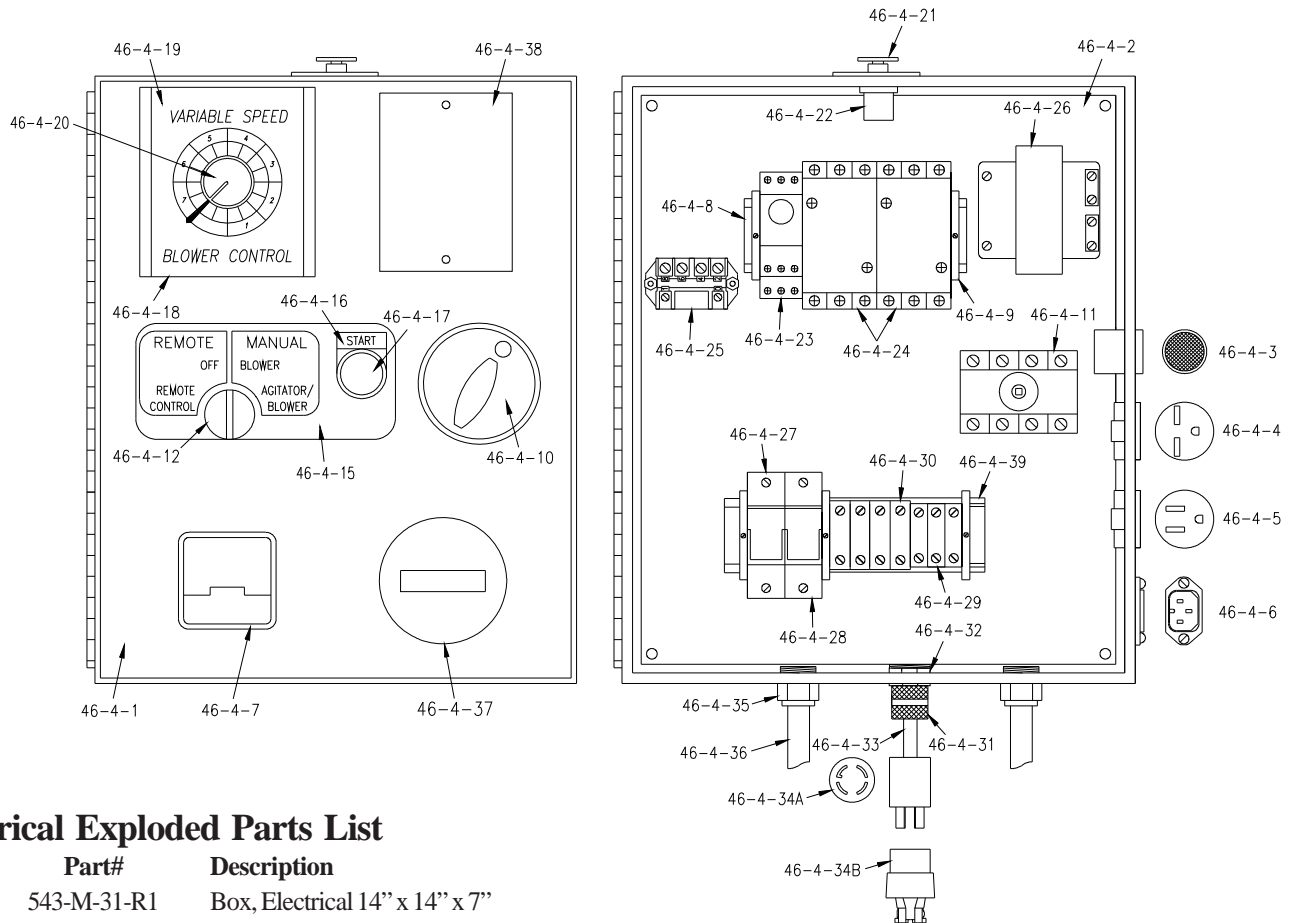
# 240 V.A.C. 60 Hz. ELECTRICAL UPGRADE PARTS LIST (2) 2-STAGE BLOWERS (ELU11-109063)



## Electrical Exploded Parts List

Item#	Part#	Description	Item#	Part#	Description
46-3-1	543-M-31-R1	Box, Electrical 14" x 14" x 7"	46-3-22	8075-1	Contact, Kill Switch
46-3-2	543-M-31-4	Plate, Backing for Electric Box	46-3-23	ELU06-6	Timer, 24 VAC
46-3-3	543-M-38	Alarm for Pre-Alarm System, 24V	46-3-24	ELU11-5	GE Contactor/Relay, 25 A (2)
46-3-4	132-B	Receptacle, NEMA #6-15R	46-3-25	ELU10-10	Contact, Relay, 120V Control
46-3-5	1544	Receptacle, NEMA# 5-15R	46-3-26	1530-D	Transformer, 4A
46-3-6	543-M-2	Receptacle, RC Plug #509-1050 (remote)	46-3-27	BRKR-10	Breaker, 10AMP (2)
46-3-7	1531-B	Voltmeter, 0-300V	46-3-28	BRKR-2	Breaker, 2AMP
46-3-8	ELU07-C	Dinrail, 1 3/8", 8 1/2" Long	46-3-29	151080-61	Terminal Block, Small (4)
46-3-9	151080-49	Clamp, f/ 1 3/8" Din Rail (4)	46-3-30	151080-62	Terminal Block Large (4)
46-3-10	543-M-33-D*	Operator Handle Assembly	46-3-31	543-M-23	Connector, Cord, Liq. Tite, 1/2" Straight
46-3-11	543-M-33-D	Switch, Disconnect 40A #XA324BY	46-3-32	391N-A-3	Locknut, Steel, Conduit, 1/2"
46-3-12	543-M-22	Switch, 4-position Selector	46-3-33	8-4SJ	Wire, 8-4 SO
46-3-13	543-M-15	Contact Block, Selector Switch (white) #KA-1 (not shown)	46-3-34A	109066-16	Plug, NEMA #L14-30P
46-3-14	543-M-16	Contact Block, Selector Switch (red) #KA-3 (3) (not shown)	46-3-34B	109066-17	Connector, NEMA #L14-30C
46-3-15	KMC-068	Decal, (Remote/Manual - 4-Position)	46-3-35	543-M-18	Connector, Conduit, 1/2" Straight (2)
46-3-16	543-M-60	Start Legend Plate	46-3-36	543-M-75	Conduit, 1/2" Flexible
46-3-17	543-M-59	Switch, Pushbutton On	46-3-37	7-21	Hourmeter, 50/60Hz
46-3-18	419-A	Blower Control (120V, 60Hz.) (2)	46-3-38	ELU10-A	Dinrail, 1 3/8", 5 1/2" Long
46-3-19	420-1	Cover, Blower Control (2)	46-3-39	543-M-31-2	Alarm Mount (Not Shown)
46-3-20	420-2	Knob, Blower Control (2)			
46-3-21	508-2	Switch, Kill			

## 240 V.A.C. 60 Hz. ELECTRICAL UPGRADE PARTS LIST (1) 3-STAGE BLOWERS (ELU10-109065)

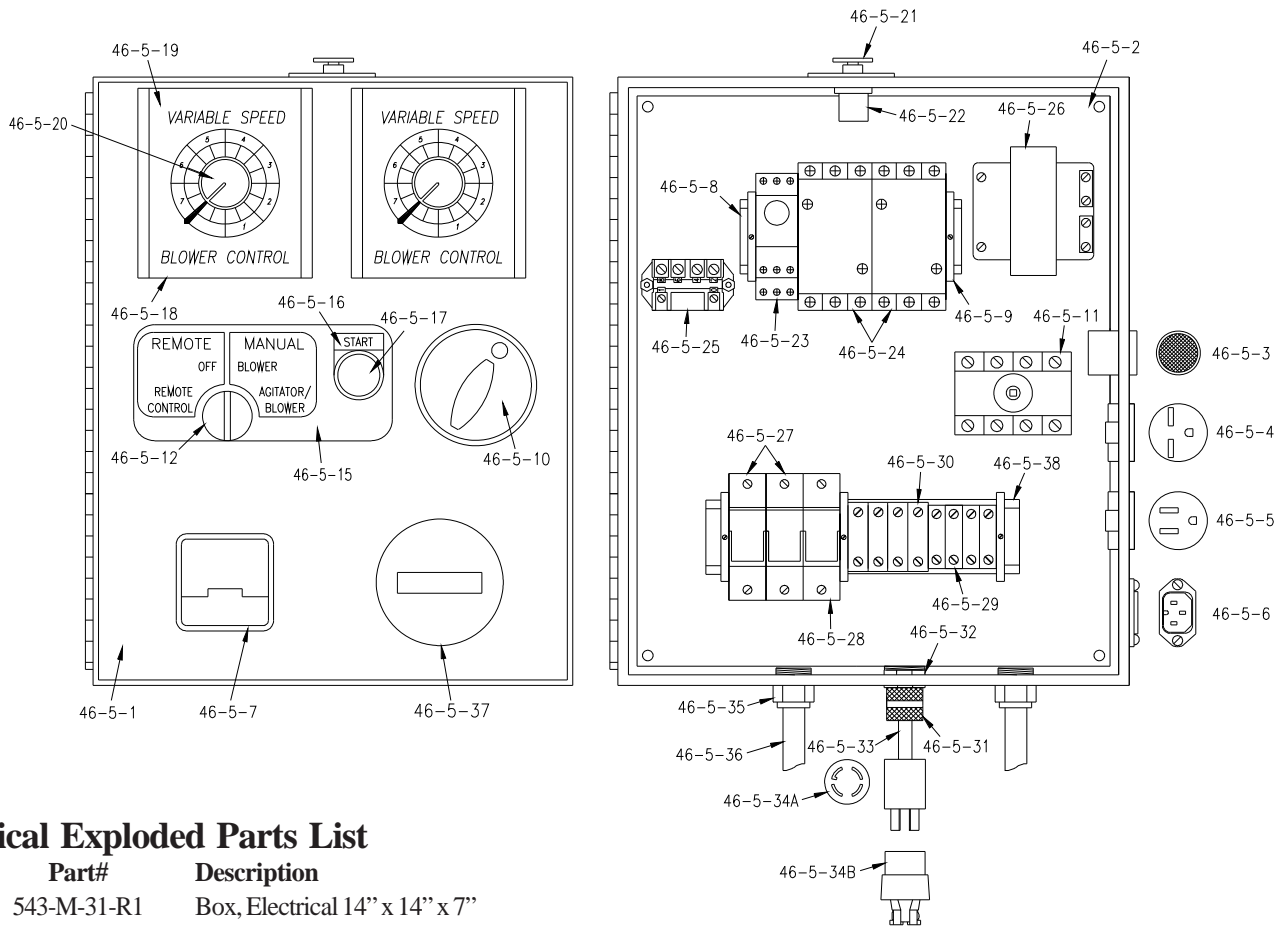


### Electrical Exploded Parts List

Item#	Part#	Description	Item#	Part#	Description
46-4-1	543-M-31-R1	Box, Electrical 14" x 14" x 7"	46-4-22	8075-1	Contactor, Kill Switch
46-4-2	543-M-31-4	Plate, Backing for Electric Box	46-4-23	ELU06-6	Timer, 24 VAC
46-4-3	543-M-38	Alarm for Pre-Alarm System, 24V	46-4-24	ELU11-5	GE Contactor / Relay 25 Amp (2)
46-4-4	132-B	Receptacle, NEMA #6-15R	46-4-25	ELU10-10	Contactor / Relay, 120V Control
46-4-5	1544	Receptacle, NEMA #5-15R	46-4-26	1530-D	Transformer, 4A
46-4-6	543-M-2	Receptacle, RC Plug #509-1050 (remote)	46-4-27	BRKR-15	Breaker, 15AMP
46-4-7	1531-B	Voltmeter, 0-300V	46-4-28	BRKR-2	Breaker, 2AMP
46-4-8	ELU10-A	1 3/8" Dinrail, 5 1/2" Long	46-4-29	151080-61	Terminal Block, Small (3)
46-4-9	151080-49	Clamp, f/ 1 3/8" Din Rail (4)	46-4-30	151080-62	Terminal Block Large (4)
46-4-10	543-M-33-D*	Operator Handle Assembly	46-4-31	543-M-23	Connector, Cord, Liq. Tite, 1/2" Straight
46-4-11	543-M-33-D	Switch, Disconnect 40A #XA324BY	46-4-32	391N-A-3	Locknut, Steel, Conduit, 1/2"
46-4-12	543-M-22	Switch, 4-position Selector	46-4-33	8-4SJ	Wire, 8-4 SO
46-4-13	543-M-15	Contact Block, Selector Switch (white) #KA-1 (not shown)	46-4-34A	109066-16	Plug, NEMA #L14-30P
46-4-14	543-M-16	Contact Block, Selector Switch (red) #KA-3 (3) (not shown)	46-4-34B	109066-17	Connector, NEMA #L14-30C
46-4-15	KMC-068	Decal, (Remote/Manual - 4-Position)	46-4-35	543-M-18	Connector, Conduit, 1/2" Straight (2)
46-4-16	543-M-60	Start Legend Plate	46-4-36	543-M-75	Conduit, 1/2" Flexible
46-4-17	543-M-59	Switch, Pushbutton On	46-4-37	7-21	Hourmeter, 50/60Hz 35 CPS
46-4-18	419-A	Blower Control (120V, 60Hz.)	46-4-38	532	Plate, Block-Off, Blower
46-4-19	420-1	Cover, Blower Control	46-4-39	ELU07-C	1 3/8" Dinrail, 8 1/2" Long
46-4-20	420-2	Knob, Blower Control	46-4-40	543-M-31-2	Alarm Mount (Not Shown)
46-4-21	508-2	Switch, Kill			



## 240 V.A.C. 60 Hz. ELECTRICAL UPGRADE PARTS LIST (2) 3-STAGE BLOWERS (ELU10-109070)

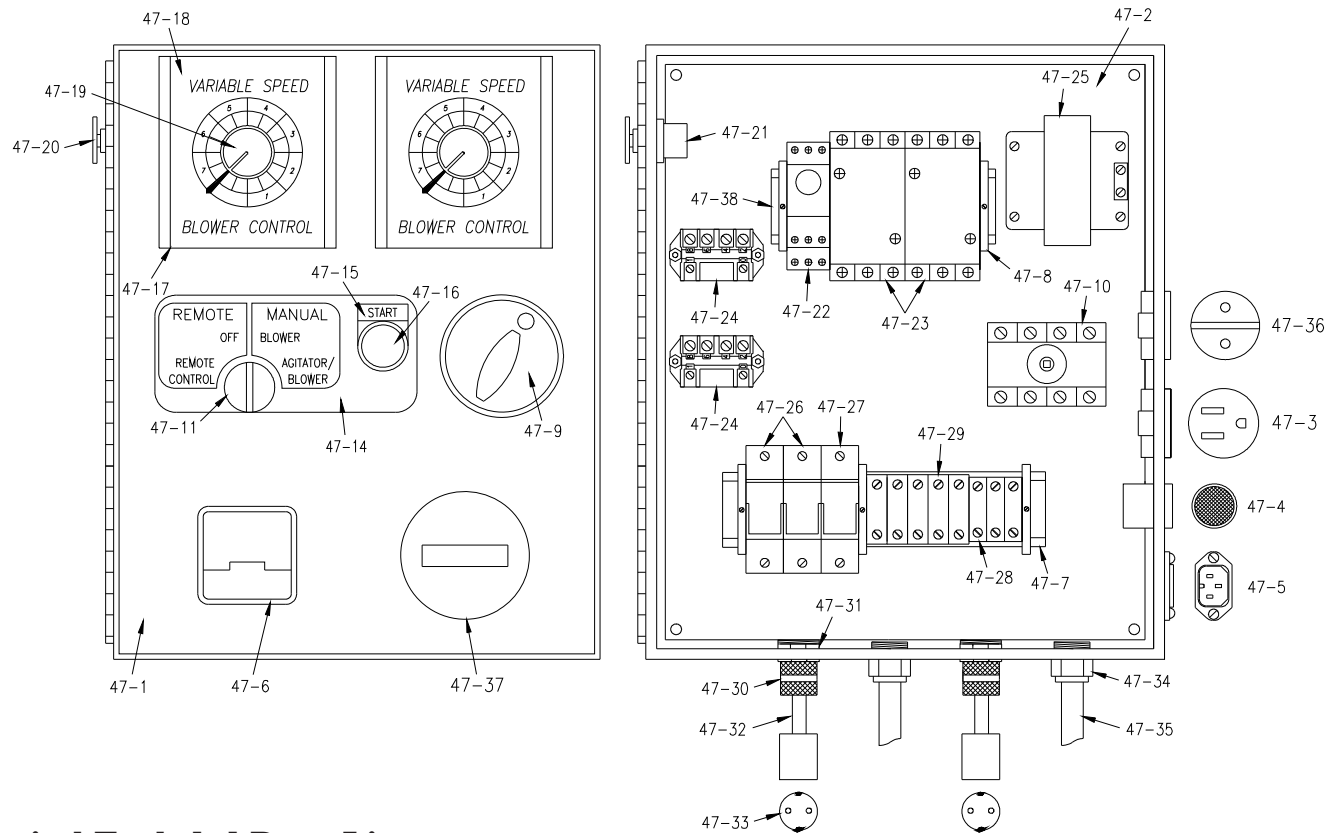


### Electrical Exploded Parts List

Item#	Part#	Description	Item#	Part#	Description
46-5-1	543-M-31-R1	Box, Electrical 14" x 14" x 7"	46-5-22	8075-1	Contact, Kill Switch
46-5-2	543-M-31-4	Plate, Backing for Electric Box	46-5-23	ELU06-6	Timer, 24 VAC
46-5-3	543-M-38	Alarm for Pre-Alarm System, 24V	46-5-24	ELU11-5	GE Contactor / Relay 25 Amp
46-5-4	132-B	Receptacle, NEMA #6-15R	46-5-25	ELU10-10	Contact / Relay 120V Control (2)
46-5-5	1544	Receptacle, NEMA# 5-15R	46-5-26	1530-D	Transformer, 4A
46-5-6	543-M-2	Receptacle, RC Plug #509-1050 (remote)	46-5-27	BRKR-15	Breaker, 15AMP(2)
46-5-7	1531-B	Voltmeter, 0-300V	46-5-28	BRKR-2	Breaker, 2AMP
46-5-8	ELU10-A	Dinrail, 1 3/8", 5 1/2" Long	46-5-29	151080-61	Terminal Block, Small (4)
46-5-9	151080-49	Clamp, f/ 1 3/8" Din Rail (4)	46-5-30	151080-62	Terminal Block Large (4)
46-5-10	543-M-33-D*	Operator Handle Assembly	46-5-31	543-M-23	Connector, Cord, Liq. Tite, 1/2" Straight
46-5-11	543-M-33-D	Switch, Disconnect 40A #XA324BY	46-5-32	391N-A-3	Locknut, Steel, Conduit, 1/2"
46-5-12	543-M-22	Switch, 4-position Selector	46-5-33	8-4SJ	Wire, 8-4 SO
46-5-13	543-M-15	Contact Block, Selector Switch (white) #KA-1 (not shown)	46-5-34A	109066-16	Plug, NEMA #L14-30P
46-5-14	543-M-16	Contact Block, Selector Switch (red) #KA-3 (3) (not shown)	46-5-34B	109066-17	Connector, NEMA #L14-30C
46-5-15	KMC-068	Decal, (Remote/Manual - 4-Position)	46-5-35	543-M-18	Connector, Conduit, 1/2" Straight (2)
46-5-16	543-M-60	Start Legend Plate	46-5-36	543-M-75	Conduit, 1/2" Flexible
46-5-17	543-M-59	Switch, Pushbutton On	46-5-37	7-21	Hourmeter, 50/60Hz
46-5-18	419-A	Blower Control (120V, 60Hz.) (2)	46-5-38	ELU07-C	Dinrail, 1 3/8", 8 1/2" Long
46-5-19	420-1	Cover, Blower Control (2)	46-5-39	543-M-31-2	Alarm Mount (Not Shown)
46-5-20	420-2	Knob, Blower Control (2)			
46-5-21	508-2	Switch, Kill			



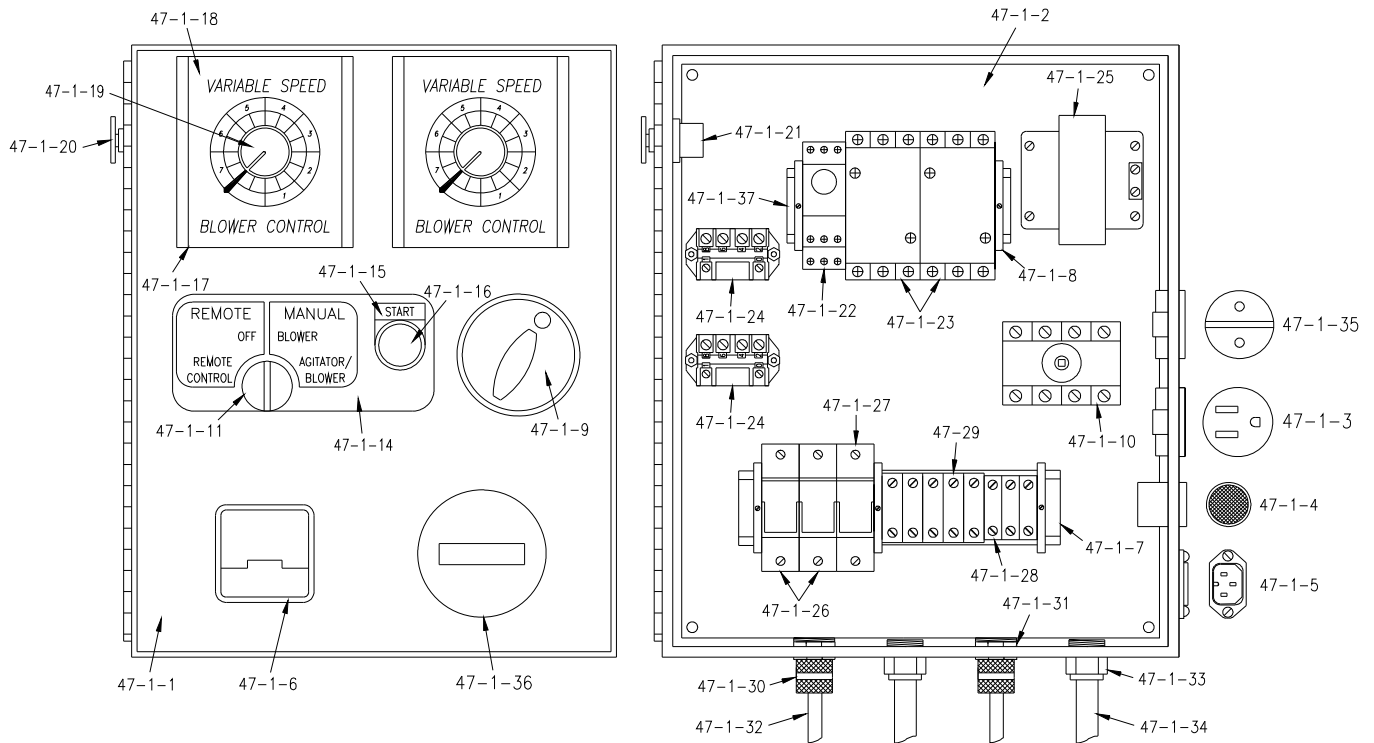
## 230 V.A.C. 50 Hz. ELECTRICAL UPGRADE PARTS LIST (2) 3-STAGE BLOWERS (ELU10-109072)



### Electrical Exploded Parts List

Item#	Part#	Description	Item#	Part#	Description
47-1	543-M-31-R2	Box, Electrical 14" x 14" x 7"	47-20	508-2	Switch, Kill
47-2	543-M-31-4	Plate, Backing for Electric Box	47-21	8075-1	Contactor, Kill Switch
47-3	1544	Receptacle, NEMA# 5-15R	47-22	ELU06-6	Timer, 24 VAC
47-4	543-M-38	Alarm for Pre-Alarm System, 24V	47-23	ELU11-5	GE Contactor / Relay 25 Amp (2)
47-5	543-M-2	Receptacle, RC Plug #509-1050 (remote)	47-24	ELU10-12	Relay, E-Mech, CTRL-V230, DPDY-N (2)
47-6	1531-B	Voltmeter, 0-300V	47-25	1530-D	Transformer, 4A
47-7	ELU07-C	Dinrail, 1 3/8", 8 1/2" Long	47-26	BRKR-8	Breaker, 8AMP (2)
47-8	151080-49	Clamp, f/ 1 3/8" Din Rail (4)	47-27	BRKR-1	Breaker, 1AMP
47-9	54-M-33-OS	Operator Handle Assembly (Overseas)	47-28	151080-61	Terminal Block, Small (3)
47-10	543-M-33-D	Switch, Disconnect 40A #XA324BY	47-29	151080-62	Terminal Block Large (5)
47-11	543-M-22	Switch, 4-position Selector	47-30	543-M-17	Connector, Cord, Liq. Tite, 1/2" Blue (2)
47-12	543-M-15	Contact Block, Selector Switch (white) #KA-1 (not shown)	47-31	391N-A-3	Locknut, Steel, Conduit, 1/2" (2)
47-13	543-M-16	Contact Block, Selector Switch (red) #KA-3 (3) (not shown)	47-32	12-3-SJ-M	12-3 SJ w/Brown/Blue/Green/Yellow Plug, European (2)
47-14	KMC-068	Decal, (Remote/Manual - 4-Position)	47-34	543-M-18	Connector, Conduit, 1/2" Straight (2)
47-15	543-M-60	Start Legend Plate	47-35	543-M-75	Conduit, 1/2" Flexible
47-16	543-M-59	Switch, Pushbutton On	47-36	543-M-78	Socket, Schuko, 16A Cover Panel
47-17	419-B	Blower Control (230V, 50Hz.) (2)	47-37	7-21	Hourmeter, 50/60Hz
47-18	420-1	Cover, Blower Control (2)	47-38	ELU10-A	Dinrail, 1 3/8", 5 1/2" Long
47-19	420-2	Knob, Blower Control (2)	47-39	ELU10-13	Cover, E-Mech Relay (not shown)
			47-40	ELU06-1	Cover, Transformer (not shown)

# 115 V.A.C. 50 Hz. ELECTRICAL UPGRADE PARTS LIST (2) 3-STAGE BLOWERS (ELU11-109077)



## Electrical Exploded Parts List

Item#	Part#	Description	Item#	Part#	Description
47-1-1	543-M-31-R2	Box, Electrical 14" x 14" x 7"	47-1-20	508-2	Switch, Kill
47-1-2	543-M-31-4	Plate, Backing for Electric Box	47-1-21	8075-1	Contactor, Kill Switch
47-1-3	1544	Receptacle, NEMA# 5-15R	47-1-22	ELU06-6	Timer, 24 VAC
47-1-4	543-M-38	Alarm for Pre-Alarm System, 24V	47-1-23	ELU11-5	GE Contactor / Relay 25 Amp (2)
47-1-5	543-M-2	Receptacle, RC Plug #509-1050 (remote)	47-1-24	ELU10-10	Contactor / Relay 120V Control (2)
47-1-6	1531-B	Voltmeter, 0-300V	47-1-25	1530-D	Transformer, 4A
47-1-7	ELU07-C	Dinrail, 1 3/8", 8 1/2" Long	47-1-26	BRKR-15	Breaker, 15AMP (2)
47-1-8	151080-49	Clamp, f/ 1 3/8" Din Rail (4)	47-1-27	BRKR-2	Breaker, 2AMP
47-1-9	54-M-33-OS	Operator Handle Assembly (Overseas)	47-1-28	151080-61	Terminal Block, Small (3)
47-1-10	543-M-33-D	Switch, Disconnect 40A #XA324BY	47-1-29	151080-62	Terminal Block Large (5)
47-1-11	543-M-22	Switch, 4-position Selector	47-1-30	543-M-17	Connector, Cord, Liq.Tite, 1/2" Blue (2)
47-1-12	543-M-15	Contact Block, Selector Switch (white) #KA-1 (not shown)	47-1-31	391N-A-3	Locknut, Steel, Conduit, 1/2" (2)
47-1-13	543-M-16	Contact Block, Selector Switch (red) #KA-3 (3) (not shown)	47-1-32	12-3-SJ-M	12-3 SJ w/Brown/Blue/Green/Yellow
47-1-14	KMC-068	Decal, (Remote/Manual - 4-Position)	47-1-33	543-M-18	Connector, Conduit, 1/2" Straight (2)
47-1-15	543-M-60	Start Legend Plate	47-1-34	543-M-75	Conduit, 1/2" Flexible
47-1-16	543-M-59	Switch, Pushbutton On	47-1-35	543-M-78	Socket, Schuko, 16A Cover Panel
47-1-17	419-B	Blower Control (230V, 50Hz.) (2)	47-1-36	7-21	Hourmeter, 50/60Hz
47-1-18	420-1	Cover, Blower Control (2)	47-1-37	ELU10-A	Dinrail, 1 3/8", 5 1/2" Long
47-1-19	420-2	Knob, Blower Control (2)	47-1-38	ELU10-13	Cover, E-Mech Relay (not shown)
			47-1-39	ELU06-1	Cover, Transformer (not shown)

**GLOSSARY**

<b>BRIDGING</b>	Tendency of fiber to cling in the hopper forming an air pocket above the airlock. This hinders the normal feeding process of the machine.
<b>CFM</b>	(Cubic feet per minute). A measurement of volume or <b>quantity</b> of air flowing at a certain rate, or air moving capability, of a blower. It is the volume of air moved per minute. Higher volume provides increased coverage and velocity of fiber as it leaves the hose.
<b>CHECK VALVE</b>	An apparatus that allows air to flow in one direction only. When mounted on the outlet of the blower, it protects the blower from fiber contamination through the air hose when using one blower. When the blower stops, the valve closes.
<b>COMMERCIAL SPRAY ON</b>	The application of fiber with adhesive to a surface which will remain exposed. The application must therefore be impacted in a smooth, uniform manner.
<b>COVERAGE</b>	Refers to the amount of fiber coverage, usually measured in square feet, according to the R-value desired. This information is given on the fiber package.
<b>NEW CONSTRUCTION WALL CAVITY SPRAY</b>	The spray application of fiber with water or adhesive into an exposed wall cavity to later be covered with drywall sheathing, etc.
<b>PSI</b>	(Pounds of pressure per square inch). The <b>force</b> exerted on a surface by air/liquid. High-pressure blowers push the fiber through the hose. Higher pressure provides less hose plugging and increased compaction in side wall.
<b>PRODUCTION RATE</b>	Pounds of fiber blown per hour.
<b>RPM</b>	(Revolutions per minute). Speed at which the shaft of a rotating device (i.e. blower fan, agitator) is moving.
<b>R-VALUE</b>	Resistance value. A precise measurement of the insulation's resistance to heat transfer. The higher the resistance value, the slower the heat will transfer through the insulating material.
<b>RETRO-SIDEWALL</b>	This refers to the installation of fiber into an unexposed wall cavity. Fiber is usually installed through holes drilled into the exterior siding.
<b>SETTLED DENSITY</b>	The point at which the fiber will not continue to settle further. Any insulation blown will have a certain amount of progressive settling that occurs after a period of time. Following the fiber manufacturers recommendations for bag rate coverage will provide useful information to accommodate for settling.
<b>SETTLING</b>	Compression or compaction of insulation fibers caused by the weight of the material, vibration of structure, temperature, and humidity cycles.

**SERVICE RECORD**

DATE	MAINTENANCE PERFORMED	COMPONENTS REQUIRED